



2000 Series Fold Down Shower Seats Installation and user care instructions

Colour: White to RAL 9016 / Grey to RAL 7035 or High Contrast Blue to RAL 5005 / Patent Applied

Internal Building use only

Shower Seat Use

The Shower Seat must only be used for the task it is intended to perform.

Do not stand on it or misuse it. This may have serious detrimental effects on its performance and safety.

The Shower Seat should be checked as part of a planned maintenance programme.

Children and other users may require supervision when using this product.

Keeping your AKW Shower Seat Clean

This product should be cleaned periodically to remove any accumulation of hair or other waste material, using normal domestic bathroom cleaning materials.

After cleaning always flush down with water then wipe thoroughly with a damp cloth to remove any cleaning material residues before drying off.

Disinfecting

Where disinfecting is necessary, standard established procedures for disinfecting equipment should be used with due care and attention taken of the warnings concerning possible effects of aggressive chemicals on plastics.

After cleaning always flush down with water then wipe thoroughly with a damp cloth to remove any cleaning material residues before drying off.

Do not use strong or concentrated acidic, alkaline or other cleaning materials as these may discolour or damage the product.

AKW does not approve or recommend autoclave cleaning due to the damage this can cause to the special engineering plastics used in the construction of this product.

Packaging

This Shower Seat is supplied in a polypropylene (PP) bag to keep the product unsoiled until installation; it may also be packed in a cardboard box.

Both are suitable for recycling operations and should be disposed of in accordance with local recycling regulations.



ALWAYS read the installation instructions before installing this product.

NEVER exceed the weight capacity of 25 stone (158 Kg) .



ALWAYS read the end user care instructions.



ALWAYS use hole reducers if cushions not used.

ALWAYS have the seats installed by a trained and experienced installer.



NEVER stand on the shower seat.
This may reduce the strength of the shower seat and will invalidate any warranty or weight capacity stated.



BEWARE A pinch hazard may be present during the closing of this product up towards the wall.



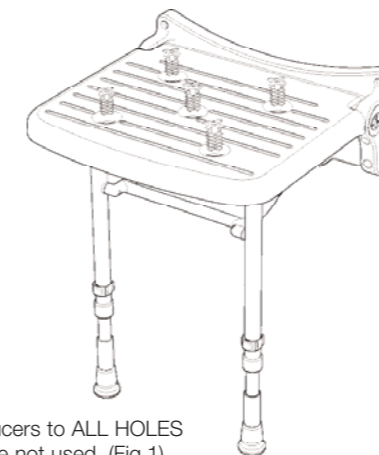
DO NOT place matches or cigarettes on or near this product.
The following plastic materials are used in this product: Polypropylene(PP), Poly Vinyl Chloride (PVC-U) and Thermoplastic Rubber (TPR).

The measurements throughout these installation and user care instructions have been converted from metric to its equivalent in imperial, therefore all dimensions are approximate and subject to manufacturing tolerances. DLP Limited (AKW MediCare) does not make any warranty, expressed or implied, or accept any liability in connection with this information or its use. This information is furnished upon the condition that the person receiving it shall make his/her own tests to determine the suitability thereof for his/her particular purpose.

**For further details on this and other AKW products please contact your distributor
- see details on outer packaging**

Cushion Assembly

Fig.1



Fit Hole Reducers to ALL HOLES if cushions are not used. (Fig.1)

Fig.2



To fit cushions remove hole reducers (if fitted). Push lugs on cushion into holes in the seat. (Fig.2)

Installer: Please ensure that this information is left with the end user of this product.

02000/P, 02200/P installation notes and dimensions

Lay the seat on its back on the floor.

When placed on the floor, the legs are locked down by the mechanism.

This seat must be attached to a vertical surface using suitable fixings appropriate to the type of surface and loading conditions to be applied.

Stainless steel fixings are recommended.

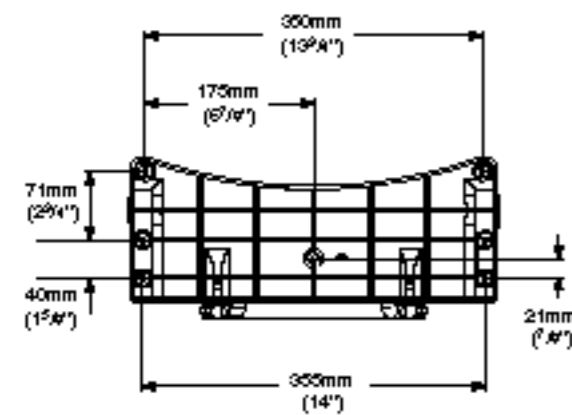
You should consult a fixing manufacturer if you are unsure of which type of fixing to use, stating the type and construction of the vertical surface and the version of seat product. We are unable to specify the type of fixing to be used due to the vast number of possible types and conditions of vertical surfaces to which the shower seat can be attached.

Make sure all fixing holes are used.

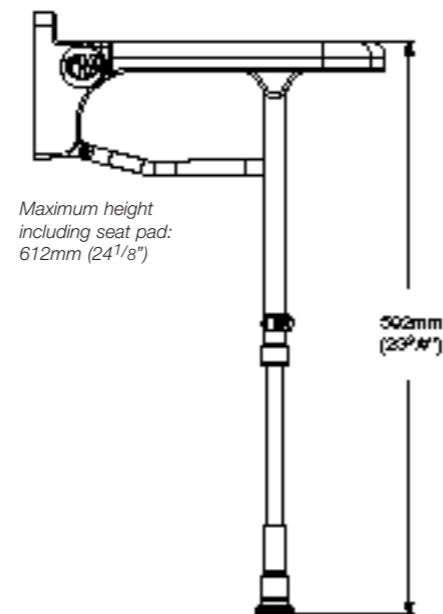
Do not make any holes larger. This can reduce the strength of the frame and invalidate any warranty or load rating stated.

Adjust support legs ensuring that both legs sit down firmly on the floor when placed in the down position.

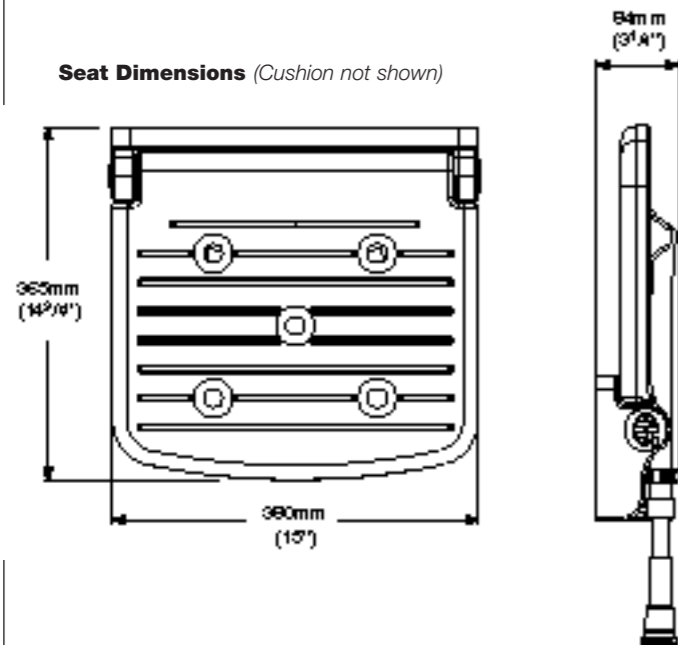
Mounting Hole Dimensions



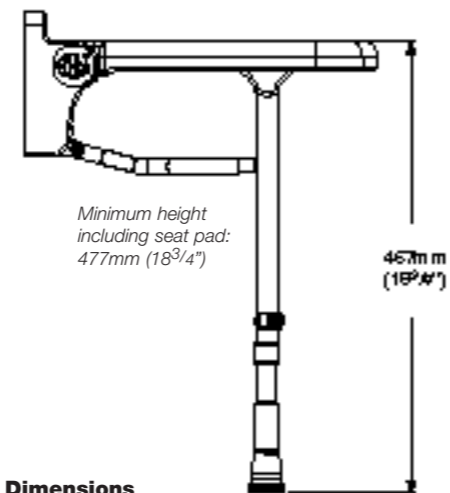
Maximum Height Dimensions



Seat Dimensions (Cushion not shown)



Minimum Height Dimensions



Folded Dimensions

02010/P, 02210/P installation notes and dimensions

Lay the seat on its back on the floor.

When placed on the floor, the legs are locked down by the mechanism.

This seat must be attached to a vertical surface using suitable fixings appropriate to the type of surface and loading conditions to be applied.

Stainless steel fixings are recommended.

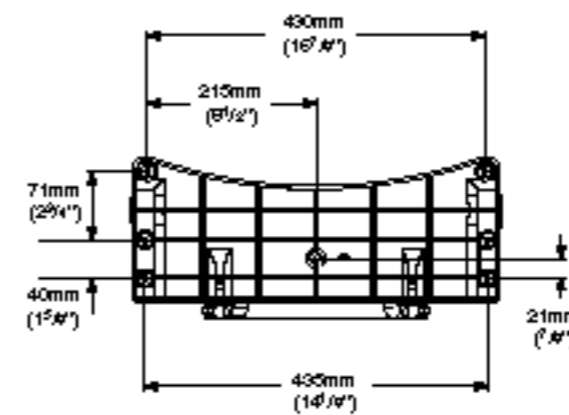
You should consult a fixing manufacturer if you are unsure of which type of fixing to use, stating the type and construction of the vertical surface and the version of seat product. We are unable to specify the type of fixing to be used due to the vast number of possible types and conditions of vertical surfaces to which the shower seat can be attached.

Make sure all fixing holes are used.

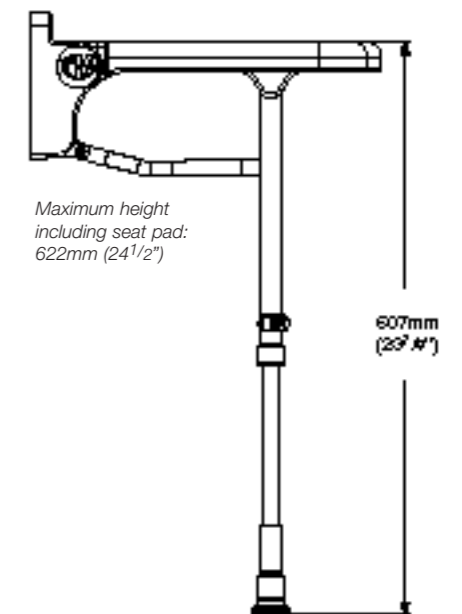
Do not make any holes larger. This can reduce the strength of the frame and invalidate any warranty or load rating stated.

Adjust support legs ensuring that both legs sit down firmly on the floor when placed in the down position.

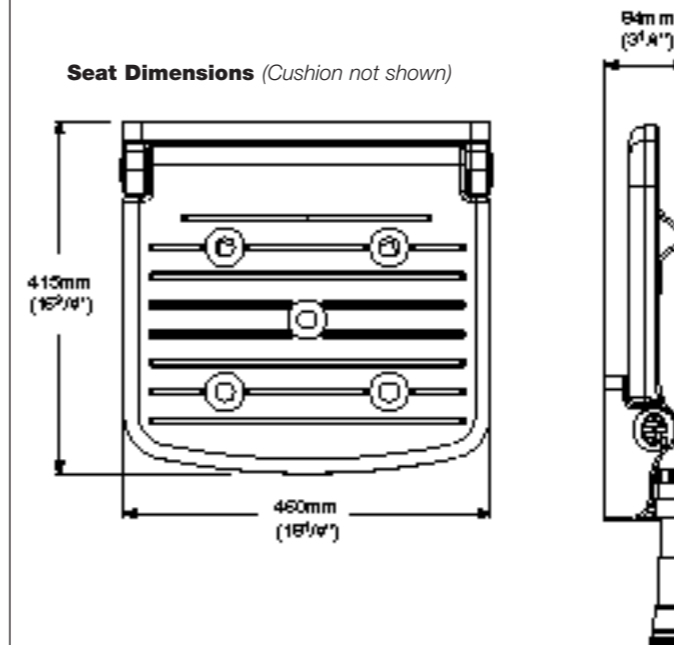
Mounting Hole Dimensions



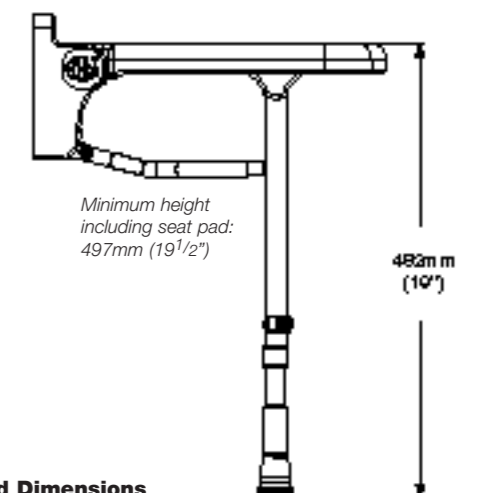
Maximum Height Dimensions



Seat Dimensions (Cushion not shown)



Minimum Height Dimensions



Folded Dimensions