



**ALWAYS** read the installation and user care instructions before installing and using this product.



**ALWAYS** match the correct waste to the shower base.

**ALWAYS** have the waste installed by a trained and experienced skilled craftsman.



**NEVER** use the waste without the unit fully assembled.



**BEWARE** A child finger trap may be present during the handling or use of this product.

**ALWAYS** Keep fingers clear of the gaps between the cover, and the locking ring.



**DO NOT** place matches or cigarettes on or near this product.  
The following plastic materials are used in this product:  
Acrylonitrile Butadiene Styrene (ABS)  
Ethylene Propylene Thermoplastic Rubber (EPTPR)  
Polythene (PE)



**AKW** MediCare

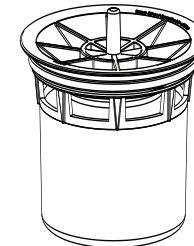
US

## US GW90 Gravity Waste

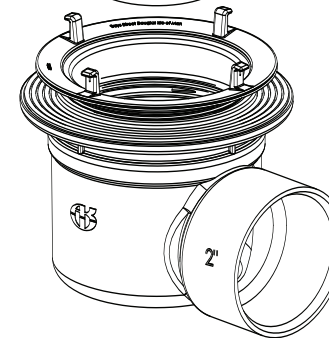
### Installation and User care instructions



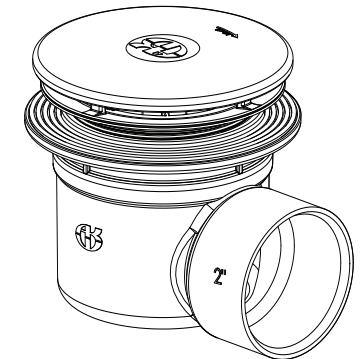
- 2" SCHEDULE 40\* Solvent Socket Fitting for 2" diameter waste pipe



- With 2" (50mm) Water Trap Seal



Dismantled for cleaning;  
No tools required



Assembled

Color: White

Internal Building use only

Patent Applied For

The measurements throughout these installation and user care instructions have been converted from metric to its equivalent in "English units", therefore all dimensions are approximate and subject to manufacturing tolerances. AKW MediCare does not make any warranty, expressed or implied, or accept any liability in connection with this information or its use. This information is furnished upon the condition that the person receiving it shall make his/her own tests to determine the suitability thereof for his/her particular purpose.

**For further details on this and other AKW products please contact your distributor  
- see details on outer packaging**

**Installer: Please ensure that this information is left with the end user of this product.**

For full waste specifications see the current AKW MediCare catalog.

## Installation Instructions

Before installation check the shower base area (9) slopes correctly towards the waste, and the waste outlet pipe slopes down and away from the waste position by approximately 1:40.

To prepare the waste for installation, remove the cover (8) by rotating anti-clockwise until it clicks free.

Remove the bucket assembly (11) by gripping the centre peg and pulling out.

Remove the clamping ring (4) by unscrewing anti-clockwise.

**Use only an approved ABS waste fitting solvent adhesive.**

**Ensure waste pipe end and joint surface of the GW90 are clean and grease free.**

**Apply a coating of adhesive to surface of the joint and assemble immediately.**

Locate the waste (1) in the required position, ensuring the main body seal (2) is firmly in position, and is in contact with the underside of the shower base (9).

Align and fit the top seal (3) and clamping ring (4) then turn clockwise to tighten.

Ensure the seal (7) is properly fitted into the groove at the top of the tube (6) and lower the bucket assembly (11) into the recess within the waste body (1).

Position the cover (8) over the assembly and rotate the cover clockwise until the lugs snap into place.

## User Care Instructions

AKW wastes are designed for low maintenance and reliable operation. The waste should be checked as part of a planned maintenance program, retightening the clamp ring as required and any part showing evidence of damage or misuse must be replaced.

## Keeping your US GW90 Gravity Waste Clean

This product should be cleaned periodically to remove any accumulation of hair or other waste material, using normal domestic bathroom cleaning materials.

To remove and clean the waste, first remove the cover (8) by rotating anti-clockwise, until it clicks free.

Lift the cover off by gripping the edges.

Lift the bucket assembly (11) up vertically by gripping the centre peg.

To separate the bucket (5) from the filter tube (6), simply hold the upper rim while rotating the bucket until the bucket rotates and releases. Do not disturb the seal.

Clean these parts using warm soapy water. Also flush and wash down the inner body of the trap in the floor using warm soapy water or normal domestic bathroom cleaning materials.

Reinstall the trap following the instructions above, noting the alignment of the ramp and corresponding recess (10)

## Disinfecting

Where disinfecting is necessary, standard procedures for disinfecting equipment should be used taking due care and attention to the warnings below concerning possible effects of aggressive chemicals on plastics.

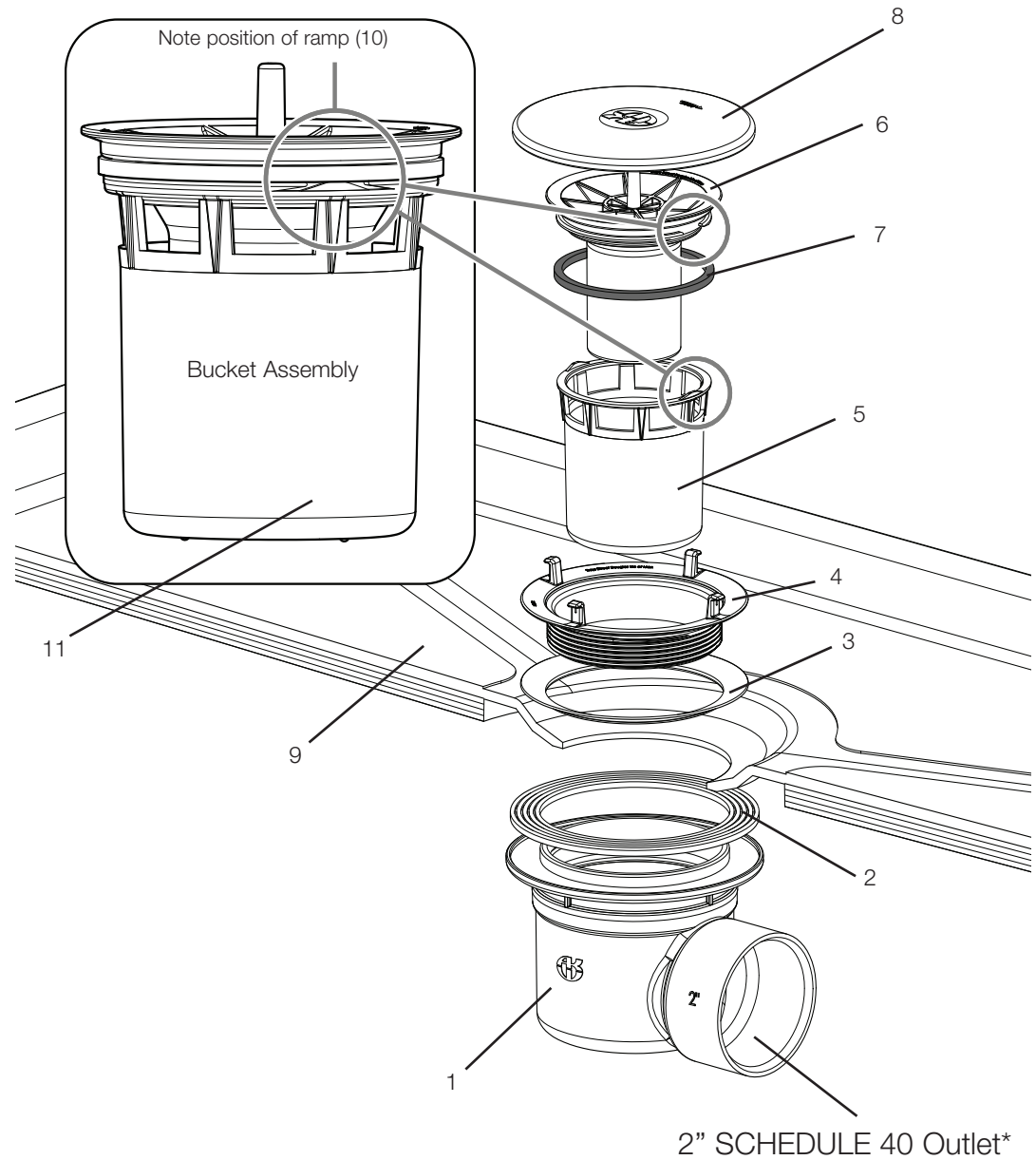
After cleaning always flush down with water then wipe thoroughly with a damp cloth to remove any cleaning material residues before drying off.

**Do not use** strong or concentrated acidic, alkaline or other cleaning materials as these may discolor or damage the product.

AKW do not approve or recommend autoclave cleaning of any of the components due to the damage this can cause to the special engineering plastics used in the construction of this product.

## Packaging

This waste is supplied in a polythene (PE) bag to keep the product unsoiled until installation; it may also be packed in a cardboard box. Both are suitable for recycling operations and should be disposed of in accordance with local recycling regulations.



\*Outlet is dimensioned to meet 2" Schedule 40, but is not pressure rated to this standard.

## Sectioned floor view of the US GW90 Waste