



**ALWAYS** read the installation instructions before installing this product.



**ALWAYS** read the installation and end user care instructions.



**ALWAYS** match the correct waste to the shower base.

**ALWAYS** have the waste installed by a trained and experienced skilled craftsman.



**NEVER** use the waste without the unit fully assembled.

**NEVER** use solvent weld pipe or fittings.



**BEWARE** A child finger trap may be present during the handling or use of this product.

**ALWAYS** Keep fingers clear of the gaps between the cover, and the locking ring.



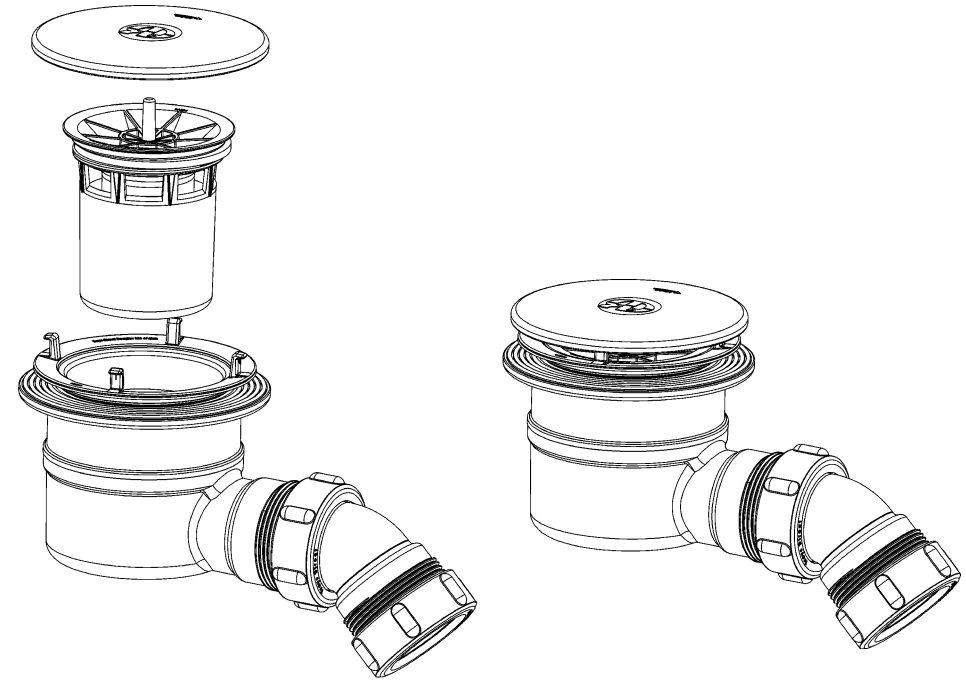
**DO NOT** place matches or cigarettes on or near this product.  
The following plastic materials are used in this product: Acrylonitrile Butadiene Styrene (ABS), Ethylene Propylene Thermoplastic Rubber (EPTPR)



**AKW** MediCare



## GW90 Gravity Waste Installation and user care instructions



Dismantled for cleaning;  
No tools required

Assembled

To fit hole diameter of 90mm and 50mm water trap

Colour: White

Internal Building use only

Patent Applied For

WRcNSF Tested to BS EN 274-2:2002

**Installer: Please ensure that this information is left with the end user of this product.**

The measurements throughout these installation and user care instructions have been converted from metric to its equivalent in imperial, therefore all dimensions are approximate and subject to manufacturing tolerances. AKW MediCare does not make any warranty, expressed or implied, or accept any liability in connection with this information or its use. This information is furnished upon the condition that the person receiving it shall make his/her own tests to determine the suitability thereof for his/her particular purpose.

**For further details on this and other AKW products please contact your distributor  
- see details on outer packaging**

## Installation Instructions

Before installation check the shower base area (9) slopes correctly towards the waste and the waste outlet pipe slopes down and away from the waste position by approximately 25mm per metre run (1 in 40).

Before fitting the waste (1), fit the nut (13) onto the waste pipe, followed by the backing ring (12) and the seal (11), ensure pipe connection is correctly assembled, sealed and watertight. The elbow (10) can be rotated to suit any waste pipe arrangement from horizontal to 45°

Locate the waste (1) in the required position, ensuring the main body seal (2) is firmly in position, and is in contact with the underside of the tray.

Align and fit the clamping ring (4) and top seal (3) by turning the locking ring clockwise to tighten.

Fit the seal (7) into the groove at the top of the tube (6). Align together and push the trap tube (6) and bucket (5) so that they snap.

Then lower the trap unit into the recess within the waste body.

Position the cover (8) over the assembly and rotate the cover until the lugs snap into place.

## User Care Instructions

AKW wastes are designed for low maintenance and reliable operation. The waste should be checked as part of a planned maintenance programme, retightening the screws as required and any part showing evidence of damage or misuse must be replaced.

### Keeping your GW90 Gravity Waste Clean

This product should be cleaned periodically to remove any accumulation of hair or other waste material, using normal domestic bathroom cleaning materials.

To remove and clean the waste, first remove the cover by rotating anti-clockwise, until clicks free. Lift the cover off by gripping the edges. Lift the trap up vertically by gripping the centre peg. To separate the bucket from the filter tube, simply hold the upper rim while rotating the bucket until the bucket rotates and releases. Reinstall the trap following the instructions above.

### Disinfecting

Where disinfecting is necessary, standard procedures for disinfecting equipment should be used taking due care and attention to the warnings below concerning possible effects of aggressive chemicals on plastics.

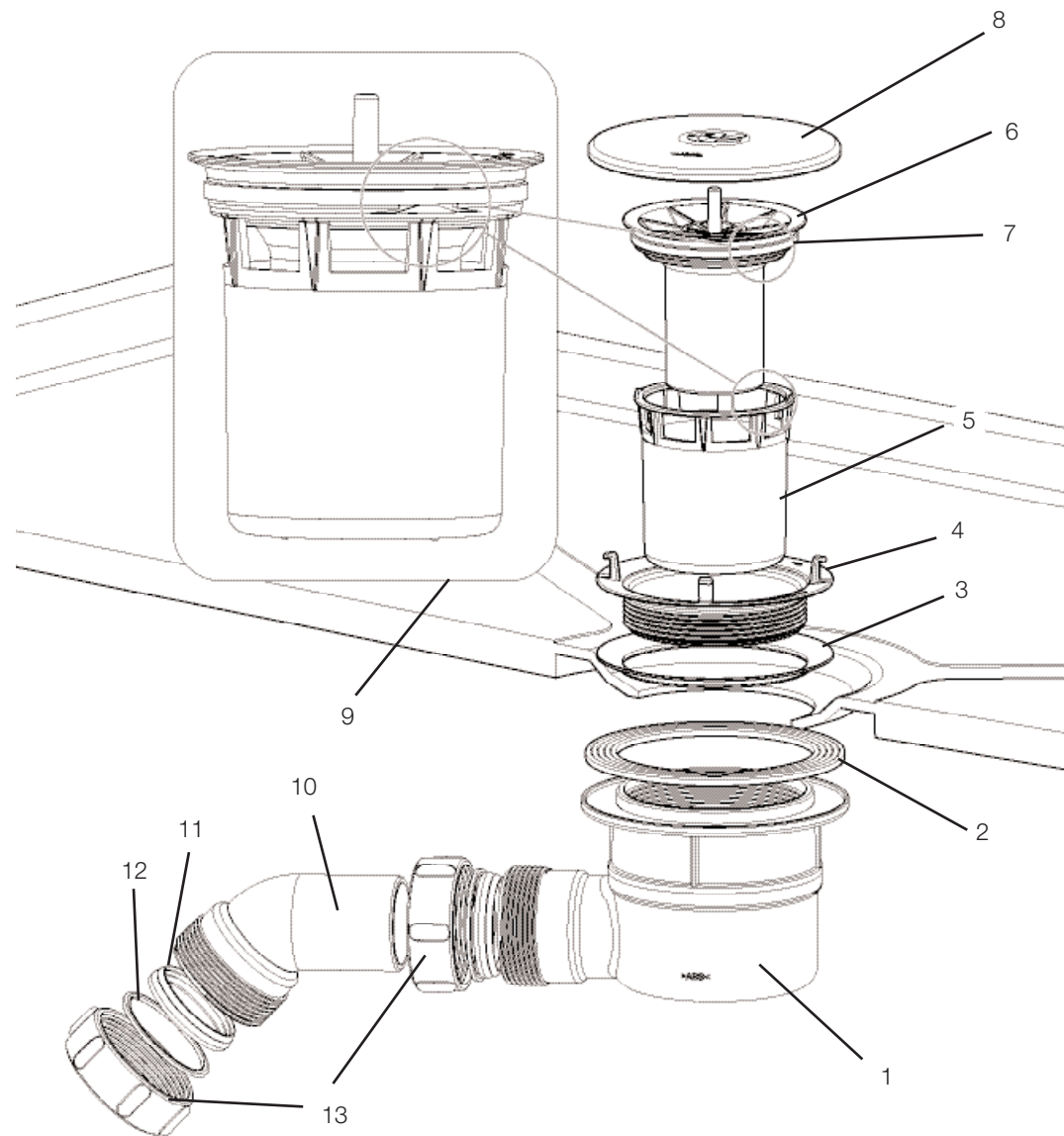
After cleaning always flush down with water then wipe thoroughly with a damp cloth to remove any cleaning material residues before drying off.

**Do not use** strong or concentrated acidic, alkaline or other cleaning materials as these may discolour or damage the product.

AKW do not approve or recommend autoclave cleaning of any of the components due to the damage this can cause to the special engineering plastics used in the construction of this product.

### Packaging

This waste is supplied in a polypropylene (PP) bag to keep the product unsoiled until installation; it may also be packed in a cardboard box. Both are suitable for recycling operations and should be disposed of in accordance with local recycling regulations.



**Sectioned floor view of the GW90 Gravity Waste**