



Option "E" Shower Screen Installation Instructions

Please read all steps carefully before installing

step 1

Take out adjusting screws from inside of compensator (screen side only). Place compensator against wall and mark off hole position when plumb. Then drill into wall with a No.10 masonry drill bit. Fit red plugs and fix compensator with No.8 x 1 1/2" pan head screw.

See Fig. 1

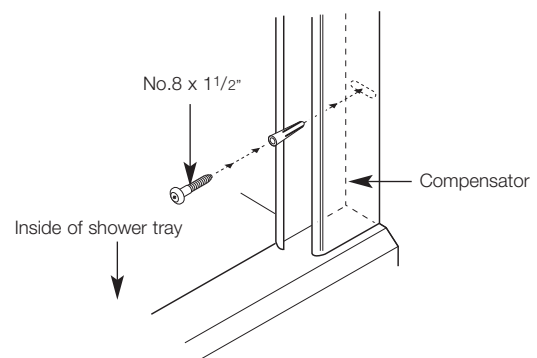


Fig. 1

step 2

Slide screens into outer compensator, re-attach the adjusting plate and clamping plate. When screens are aligned and bottom seal is in continuous contact with tray, mark off pilot hole on to tray and drill 3.0mm hole and fasten into tray with No.6 x 1" pan.

See Fig.2

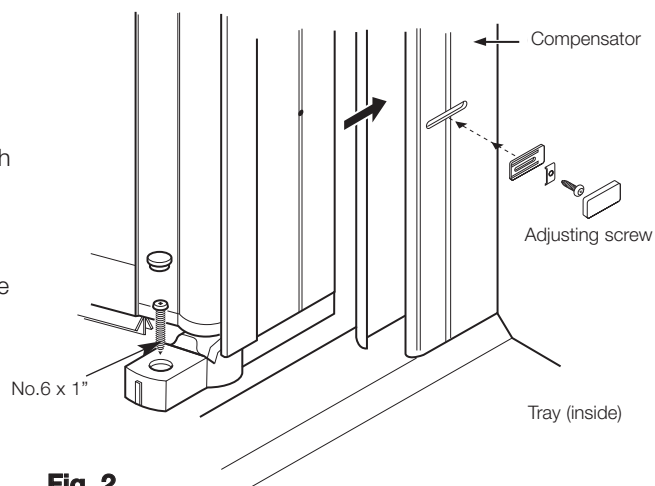


Fig. 2

step 3

Close screens and when magnets are in line with each other, screens must be level and bottom seal is in continuous contact.

See Fig. 3

CORNER SCREENS CLOSING TOGETHER

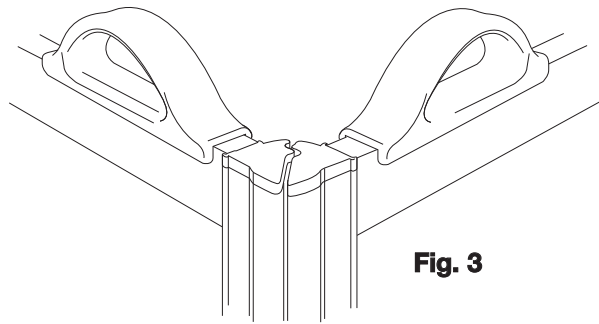


Fig. 3

step 4

Fully tighten adjusting screws before drilling 3.5mm diameter holes through holes in outer compensators and then fit locking screws with uniscrew caps.

See Fig. 4

No.8 x 1/2" pan with uniscrew cap.

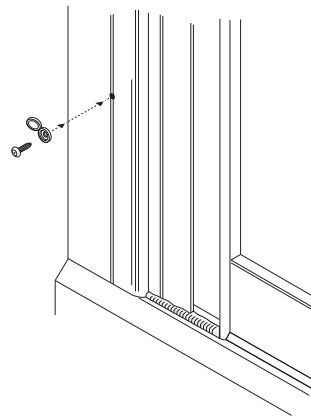


Fig. 4

step 5

Fit compensator caps.

See Fig. 5

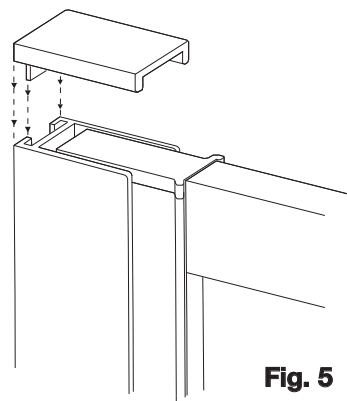


Fig. 5

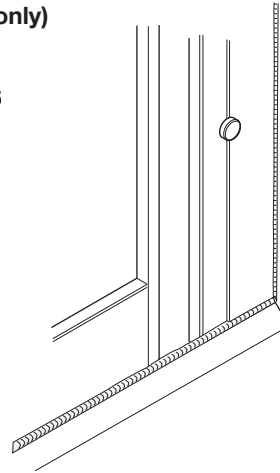
step 6

Silicone seal all joints between framework and tray, and framework and wall.

See Fig. 6

(Outside only)

Fig. 6



NOTE: IF CURTAIN RAIL KIT IS SUPPLIED THEN PLEASE BE AWARE THAT CURTAIN RAILS COME OVERSIZED AND WILL NEED TO BE CUT TO SIZE. PLEASE FIT CORRECT AMOUNT OF HOOKS AND GLIDERS TO RAIL BEFORE INSTALLATION.

step 7

Curtain rails are to be positioned on the inside of screens. See Fig. 7

When rail is level, mark off curtain rail bracket hole positions, then drill into wall with a No.10 masonry drill bit, then fit with a No. 8 x 1 1/2" and cover caps. See Fig. 8

Note: For installation on Mullen shower trays, please position screens on top of flat strip between clamping strip and shower floor area.

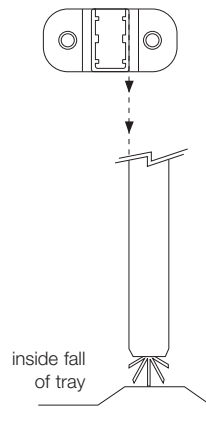


Fig. 7

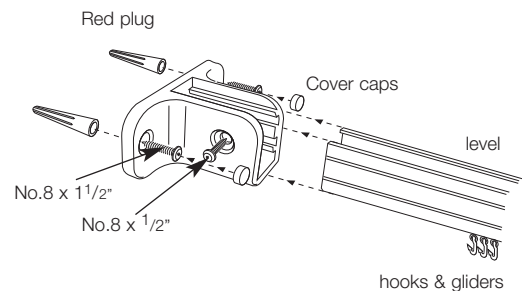


Fig. 8

step 8

Ensure rail is level before cutting drop rod.

Slide connector into rail, then fit drop rod. Tighten screw No. 4 x 1/4" pan and mark off hole position when drop rod is plumb. Drill into ceiling using a cavity type fixing (not supplied). When fixing to plaster board, fix ceiling bracket and join onto drop rod using screw No. 4 x 1/4" pan.

See Fig. 9

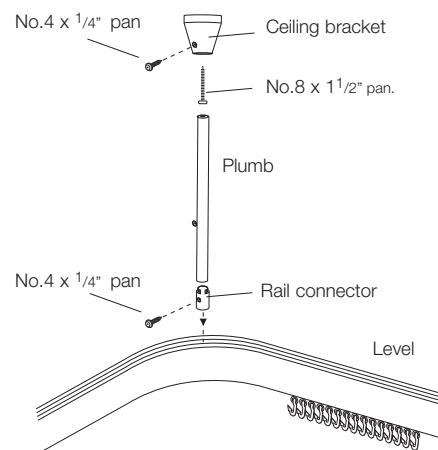


Fig. 9

