



Option “EW” Shower Door Installation Instructions

Please read all steps clearly before installation.

step 1

Take out adjusting screws from inside of compensator. Place compensator against wall and mark off hole position when plumb. Then drill into wall with a No.10 masonry drill bit. Fit red plugs and fit compensator with No.8 x 1 1/2" pan.

See Fig. 1

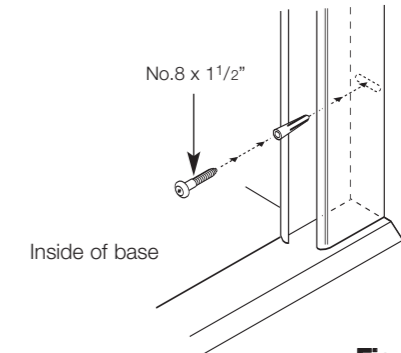


Fig. 1

step 2

Corner blocks must be cut to suit the radius of the altro floor covering, using a heavy pair of scissors or snips, then sand down to give a smooth finish.

See Fig. 2

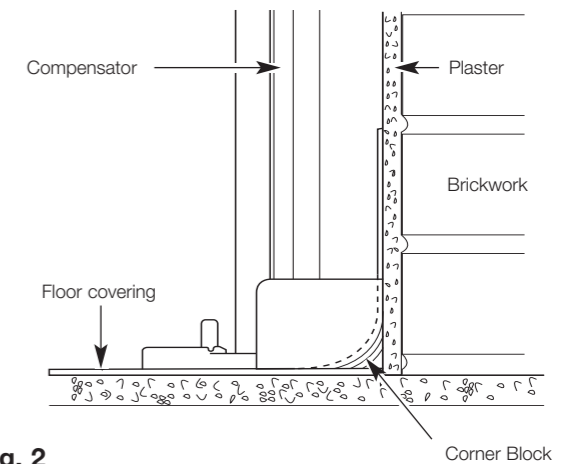


Fig. 2

step 3

Slide doors into outer compensator, re-attach the adjusting plate and clamping plate. When doors are aligned and bottom seal is in continuous contact with base, mark off pilot hole on to base and drill 1/8" (3.0mm) hole and fasten into base with No.6 x 1" pan.

See Fig.3

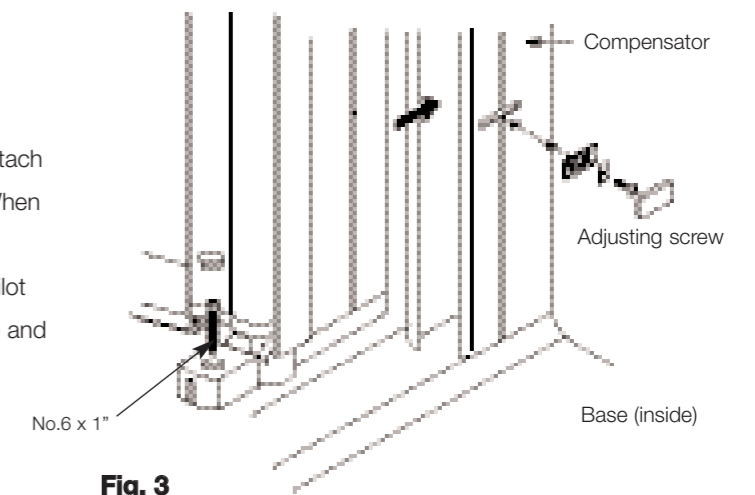


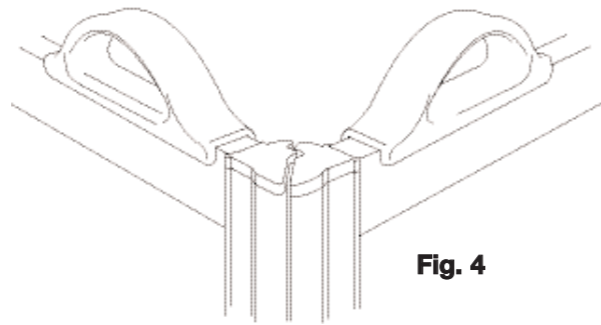
Fig. 3

step 4

CORNER DOORS CLOSING TOGETHER

Close doors and when magnets are in line with each other, doors must be level and bottom seal is in continuous contact.

See Fig. 4

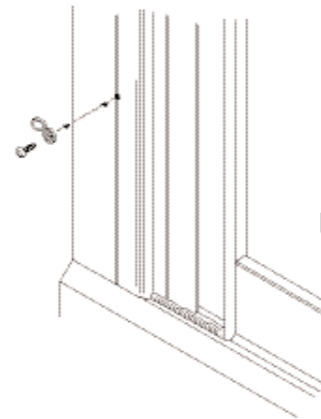


step 5

Fully tighten adjusting screws before drilling $\frac{1}{8}$ " (3.5mm) diameter holes through holes in outer compensators and then fit locking screws with uniscrew caps.

See Fig. 5

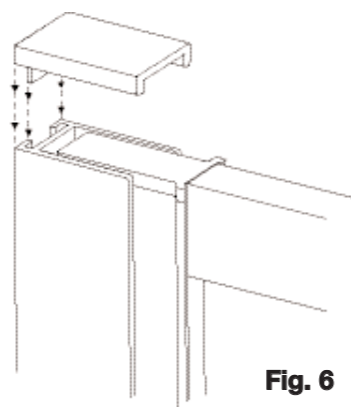
No.8 x $\frac{1}{2}$ " pan with uniscrew cap.



step 6

Fit compensator caps.

See Fig. 6



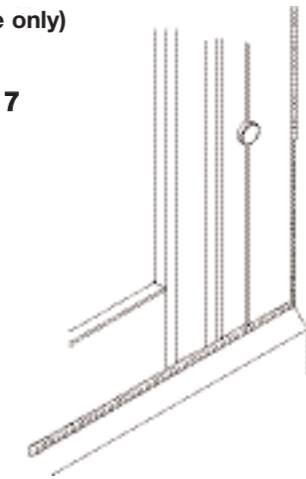
step 7

(Outside only)

Fig. 7

Silicone seal all joints between framework and base, and framework and wall.

See Fig. 7



NOTE: IF CURTAIN RAIL KIT IS SUPPLIED THEN PLEASE BE AWARE THAT CURTAIN RAILS COME OVERSIZED AND WILL NEED TO BE CUT TO SIZE. PLEASE FIT CORRECT AMOUNT OF HOOKS AND GLIDERS TO RAIL BEFORE INSTALLATION.

step 8

Curtain rails are to be positioned on the inside of doors. See Fig.8

When rail is level, mark off curtain rail bracket hole positions, then drill into wall with a No.10 masonry drill bit, then fit with a No. 8 x $\frac{1}{2}$ " and cover caps. See Fig. 9

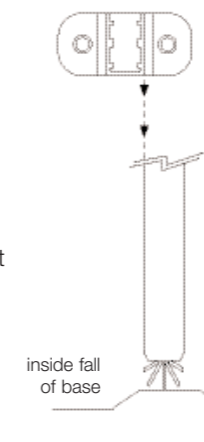


Fig. 8

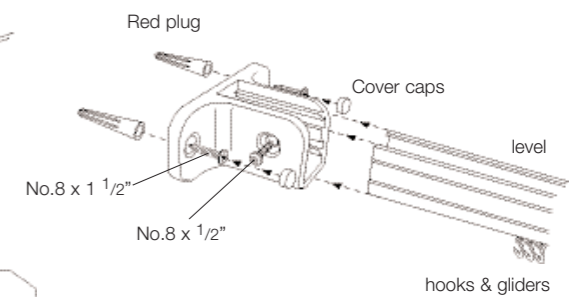


Fig. 9

step 9

Ensure rail is level before cutting drop rod.

Slide connector into rail, then fit drop rod. Tighten screw No. 4 x $\frac{1}{4}$ " pan and mark off hole position when drop rod is plumb. When fitting to plaster board, drill into ceiling using a cavity type fitting (not supplied). Fit ceiling bracket and join onto drop rod using screw No. 4 x $\frac{1}{4}$ " pan.

See Fig.10

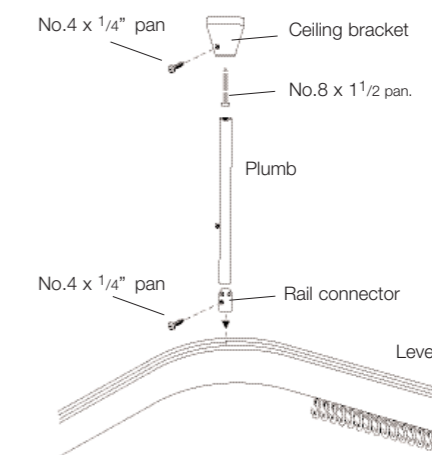


Fig. 10