



ALWAYS read the installation instructions before installing this product.



ALWAYS read the installation and end user care instructions.

ALWAYS match the correct waste to the shower base.



ALWAYS have the pumped waste installed by a trained and experienced skilled craftsman.

ALWAYS use the approved adhesive as specified.



NEVER use the pumped waste without the unit fully assembled.



BEWARE A child finger trap may be present during the handling or use of this product.

ALWAYS Keep fingers clear of the gaps between the cover, and the locking ring.



DO NOT place matches or cigarettes on or near this product.

The following plastic materials are used in this product: Acrylonitrile Butadiene Styrene (ABS), Ethylene Propylene Thermoplastic Rubber (EPTPR)

The measurements throughout these installation and user care instructions have been converted from metric to its equivalent in "English Units", therefore all dimensions are approximate and subject to manufacturing tolerances. AKW MediCare does not make any warranty, expressed or implied, or accept any liability in connection with this information or its use. This information is furnished upon the condition that the person receiving it shall make his/her own tests to determine the suitability thereof for his/her particular purpose.

**For further details on this and other AKW products please contact your distributor
- see details on outer packaging**



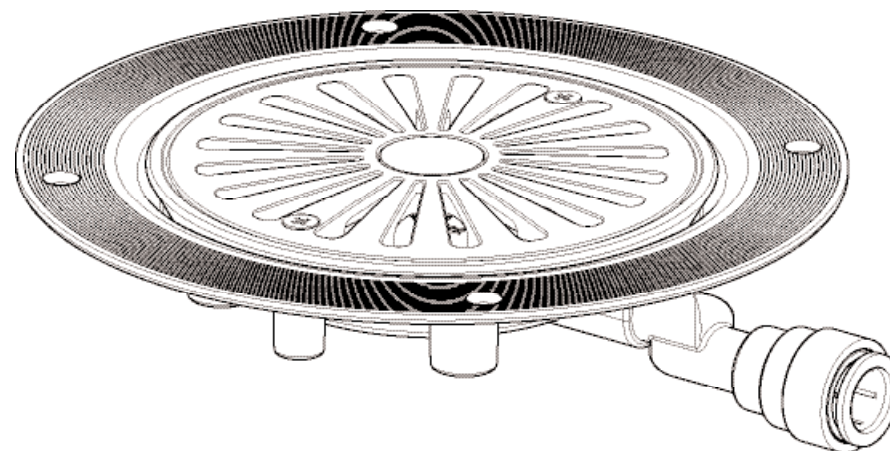
AKW MediCare



PGTF Pumped Waste

Installation and user care instructions

John Guest Speedfit* Adaptor



*John Guest and Speedfit are registered trade marks of John Guest International Limited

*Polypipe is a registered trademark of Polypipe plc, a subsidiary of IMI plc

Color: White RAL9016

Internal Building use only

Registered Design/ Patent Pending

**Installer: Please ensure that this information is left
with the end user of this product.**

Installation Instructions

To install the PGTF with JG Speedfit adaptor (when not supplied pre-assembled):

Note the JG end is offset from the main bore;

Install the PGTF "1" into the Tuff Form and select the required orientation;

Evenly apply a small amount of an approved ABS Solvent cement (not supplied) around the entire end "2" of the adaptor furthest from the JG fitting;

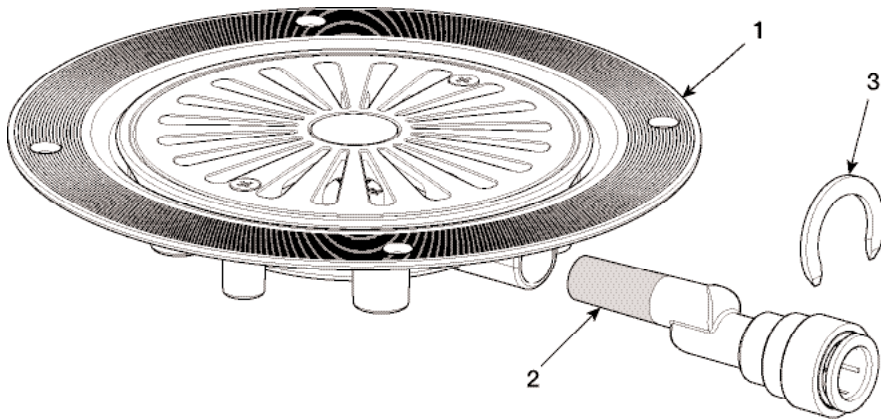
Cements such as Polypipe SC125 or an equivalent - suitable for bonding ABS products conforming to BS 4514, BS 4576, BS 4660 and BS 5255 - must be used;*

Assemble the glued adaptor to the PGTF by pushing and twisting to evenly spread the adhesive, noting the final orientation, and wipe away excess adhesive;

Allow the solvent to set, then push the deburred end of a $\varnothing 15\text{mm}$ Polypipe* or equivalent (not supplied), firmly into position following all of the normal JG Speedfit assembly precautions and instructions;

Fit the JG adapter locking ring "3" (supplied in the screw-pack);

Position the PGTF and Tuff Form into the required location with the waste drain pipe suitably routed.



User Care Instructions

This waste is designed for low maintenance and reliable operation. The Pumped waste should be checked as part of a planned maintenance programme, and any parts showing evidence of damage or misuse must be replaced.

Keeping your pump waste clean

This product should be cleaned periodically to remove any accumulation of hair or other waste material, using normal domestic bathroom cleaning materials.

To clean, remove the top cover by unscrewing the two fixing screws. Lift the cover off by lifting the edge with a flat bladed screwdriver. If necessary the waste can now be rodded to clear any blockage or waste material. Reinstall following the above instructions.

Disinfecting

Where disinfecting is necessary, standard established procedures for disinfecting equipment should be used taking due care and attention to the warnings below concerning possible effects of aggressive chemicals on plastics.

After cleaning always flush down with water then wipe thoroughly with a damp cloth to remove any cleaning material residues before drying off.

Do not use strong or concentrated acidic, alkaline or other cleaning materials as these may discolor or otherwise damage the product.

AKW do not approve or recommend autoclave cleaning of any of the components due to the damage this can cause to the special engineering plastics used in the construction of this product.

Packaging

This waste is supplied in a polypropylene (PP) bag to keep the product unsoiled until installation; it may also be packed in a cardboard box. Both are suitable for recycling operations and should be disposed of in accordance with local recycling regulations.