



**ALWAYS** read the installation instructions before installing this product.



**ALWAYS** read the installation and end user care instructions.



**ALWAYS** match the correct waste to the shower base.

**ALWAYS** have the pumped waste installed by a trained and experienced skilled craftsman.



**NEVER** use the pumped waste without the unit fully assembled.



**BEWARE** A child finger trap may be present during the handling or use of this product.

**ALWAYS** Keep fingers clear of the gaps between the cover, and the locking ring.



**DO NOT** place matches or cigarettes on or near this product.

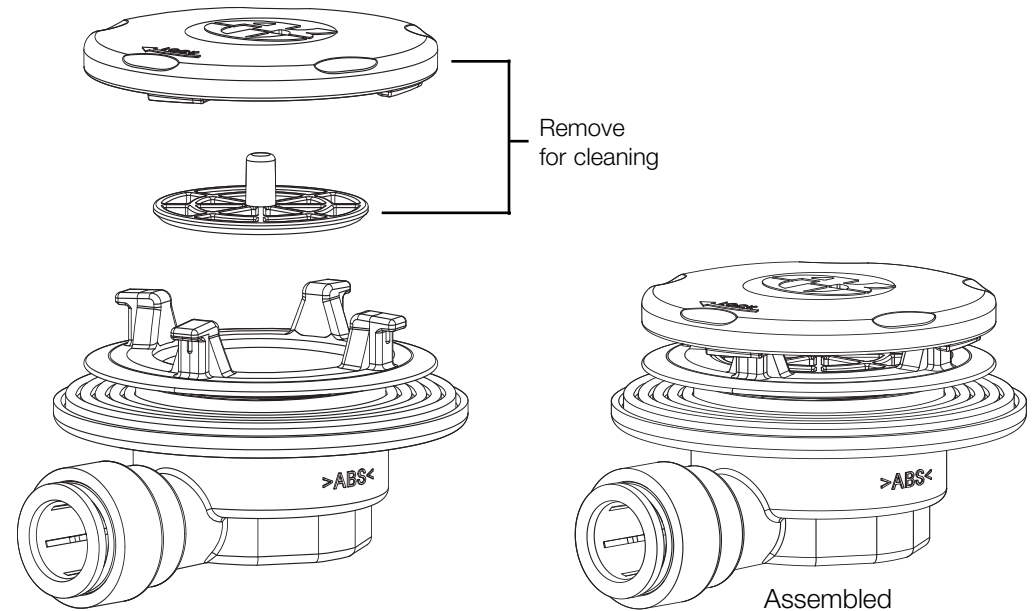
The following plastic materials are used in this product: Acrylonitrile Butadiene Styrene (ABS), Ethylene Propylene Thermoplastic Rubber (EPTR)



**AKW** MediCare

UK

## PW50 Pumped Waste Installation and user care instructions



The measurements throughout these installation and user care instructions have been converted from metric to its equivalent in imperial, therefore all dimensions are approximate and subject to manufacturing tolerances. AKW MediCare does not make any warranty, expressed or implied, or accept any liability in connection with this information or its use. This information is furnished upon the condition that the person receiving it shall make his/her own tests to determine the suitability thereof for his/her particular purpose.

\*John Guest and Speedfit are registered trade marks of John Guest International Limited

\*Polypipe is a registered trademark of Polypipe plc, a subsidiary of IMI plc

Colour: White to RAL 90

Internal Building use only

Patent GB 2375479

**For further details on this and other AKW products please contact your distributor  
- see details on outer packaging**

**Installer: Please ensure that this information is left  
with the end user of this product.**

## Installation Instructions

Before installation check the shower base area (8) slopes correctly towards the waste and the waste outlet pipe is laid in the shortest distance to the pump.

Push the deburred end of a  $\varnothing 15\text{mm}$  Polypipe\* or equivalent (not supplied) firmly into position following all the normal JG Speedfit assembly precautions and instructions.

Fit the 15mm JG adaptor locking ring (3) (supplied).

Locate the waste in the required position, ensuring the main body seal (4) is firmly in position, and is in contact with the underside of the shower base.

Align and fit the clamping ring (5), by turning the ring clockwise to tighten.

Fit the grid (6), by lowering into recess within the waste body.

Position the cover (7) over the assembly and rotate the cover until the lugs snap into place.

## User Care Instructions

AKW pumped wastes are designed for low maintenance and reliable operation. The pumped waste should be checked as part of a planned maintenance programme, retightening the screws as required and any part showing evidence of damage or misuse must be replaced.

## Keeping your Pumped Waste Clean

This product should be cleaned periodically to remove any accumulation of hair or other detritus, using normal domestic bathroom cleaning materials.

To open and clean the trap, first remove the cover (7) by rotating anti-clockwise, until it clicks free. Lift the cover off by gripping the edges. Lift the grid (6), up vertically by gripping the centre peg. Reinstall by reversing the order of the above instructions.

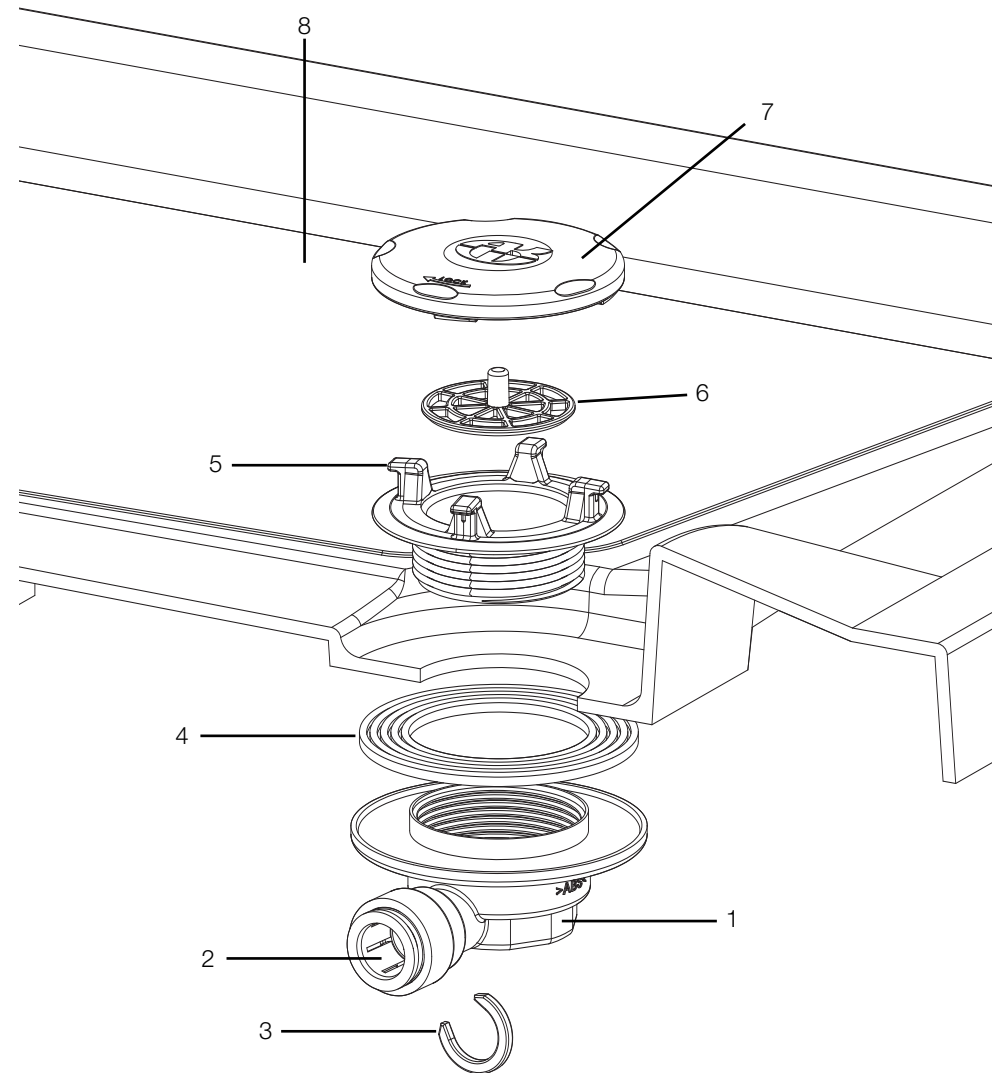
## Disinfecting

Where disinfecting is necessary, standard established procedures for disinfecting equipment should be used with due care and attention taken of the warnings below concerning possible effects of aggressive chemicals on plastics.

After cleaning always flush down with water then wipe thoroughly with a damp cloth to remove any cleaning material residues before drying off.

Do not use strong or concentrated acidic, alkaline or other cleaning materials as these may discolour or otherwise damage the product.

AKW do not approve or recommend autoclave cleaning of any of the components due to the damage this can cause to the special engineering plastics used in the construction of this product.



## Sectioned view of the PW 50

### Packaging

This waste is supplied in a polypropylene (PP) bag to keep the product unsoiled until installation; it may also be packed in a cardboard box. Both are suitable for recycling operations and should be disposed of in accordance with local recycling regulations.