



ALWAYS read the installation instructions before installing this product.



ALWAYS read the installation and end user care instructions.



ALWAYS match the correct waste to the shower base.

ALWAYS have the pumped waste installed by a trained and experienced skilled craftsman.



NEVER use the pumped waste without the unit fully assembled.



BEWARE A child finger trap may be present during the handling or use of this product.

ALWAYS Keep fingers clear of the gaps between the cover, and the locking ring.



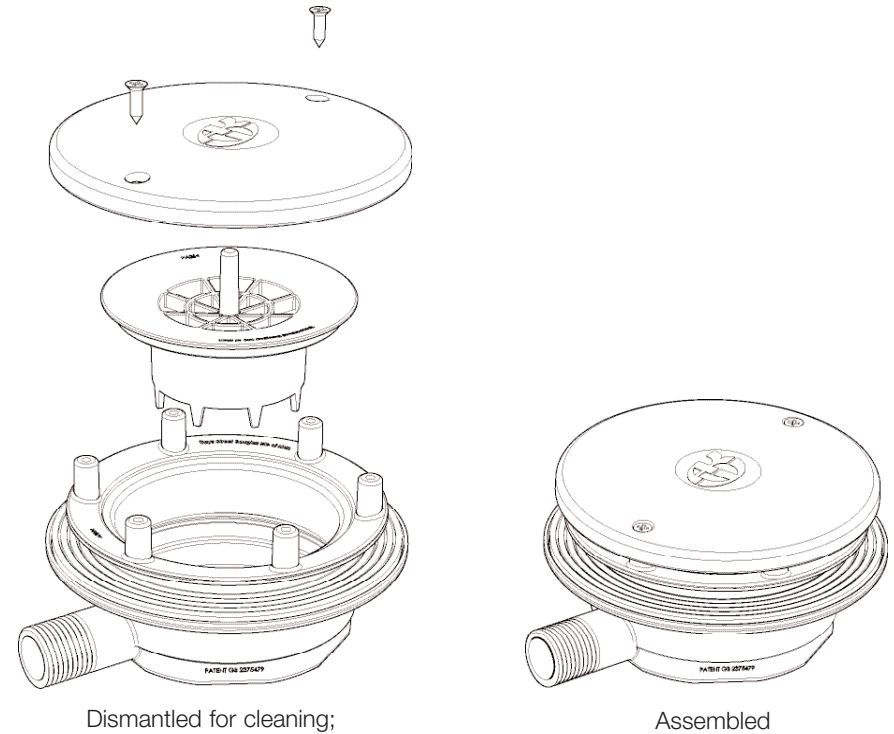
DO NOT place matches or cigarettes on or near this product.
The following plastic materials are used in this product: Acrylonitrile Butadiene Styrene (ABS), Ethylene Propylene Thermoplastic Rubber (EPTPR)



AKW MediCare



PW90 Pumped Waste Installation and user care instructions



**90mm pumped waste for low profile shower trays
Universal solvent socket joint for vertical or horizontal outlets.**

Colour: White RAL9016

Internal Building use only

Patented GB 2375479

Installer: Please ensure that this information is left with the end user of this product.

The measurements throughout these installation and user care instructions have been converted from metric to its equivalent in imperial, therefore all dimensions are approximate and subject to manufacturing tolerances. AKW MediCare does not make any warranty, expressed or implied, or accept any liability in connection with this information or its use. This information is furnished upon the condition that the person receiving it shall make his/her own tests to determine the suitability thereof for his/her particular purpose.

**For further details on this and other AKW products please contact your distributor
- see details on outer packaging**

Installation Instructions

Before installation check the shower base area (5) slopes correctly towards the waste and the waste outlet pipe slopes down and away from the waste position by approximately 25mm per metre run (1 in 40).

Before fitting the trap (1), ensure pipe connection (2) (not supplied) is correctly assembled, sealed and waterproof.

Locate the waste in the required position, ensuring the main body seal (3) is firmly in position, and is in contact with the underside of the tray.

Align and fit the clamping ring (6) and top seal (4) by turning the locking ring clockwise to tighten.

Fit the grid (7) by simply lowering it into the recess within the waste body.

Position the cover (8) over the assembly and fit using the Qty 2 M4 stainless steel screws (9). Do not over tighten.

User Care Instructions

AKW pumped wastes are designed for low maintenance and reliable operation. The pumped waste should be checked as part of a planned maintenance programme, retightening the screws as required and any part showing evidence of damage or misuse must be replaced.

Keeping your Pumped Waste Clean

This product should be cleaned periodically to remove any accumulation of hair or other waste material, using normal domestic bathroom cleaning materials.

To open and clean the trap, first remove the Qty 2 M4 stainless steel screws (9), then lift the cover (8) by gripping the edges. Lift the grid tube up vertically by gripping the centre peg. Reinstall by reversing the order of the above instructions.

Disinfecting

Where disinfecting is necessary, standard procedures for disinfecting equipment should be used taking due care and attention to the warnings below concerning possible effects of aggressive chemicals on plastics.

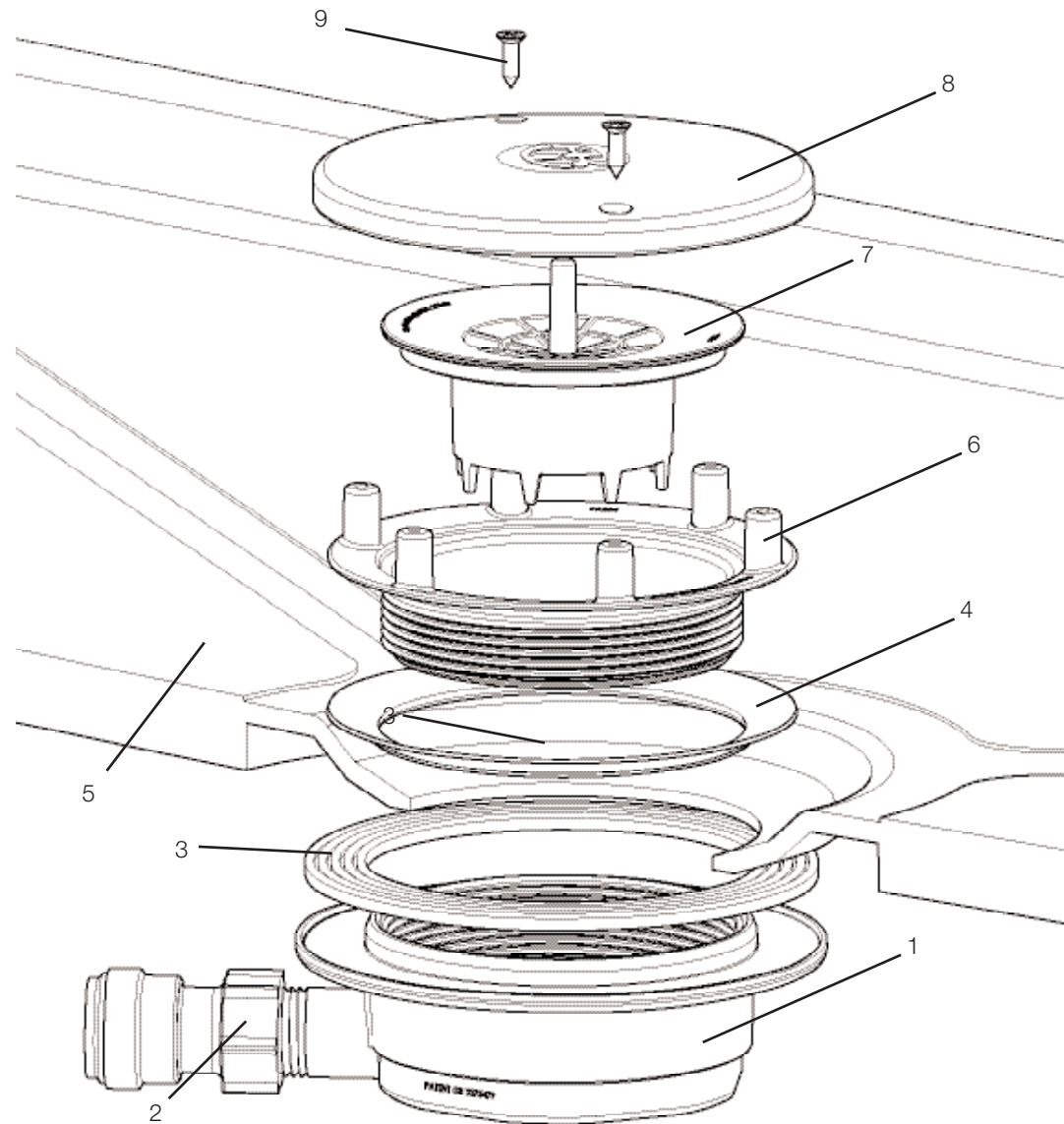
After cleaning always flush down with water then wipe thoroughly with a damp cloth to remove any cleaning material residues before drying off.

Do not use strong or concentrated acidic, alkaline or other cleaning materials as these may discolour or damage the product.

AKW do not approve or recommend autoclave cleaning of any of the components due to the damage this can cause to the special engineering plastics used in the construction of this product.

Packaging

This waste is supplied in a polypropylene (PP) bag to keep the product unsoiled until installation; it may also be packed in a cardboard box. Both are suitable for recycling operations and should be disposed of in accordance with local recycling regulations.



Sectioned floor view of the PW90 Pumped Waste