



ALWAYS read the installation and user care instructions before installing and using this product.



ALWAYS match the correct waste to the shower base.

ALWAYS have the waste installed by a trained and experienced skilled craftsman.



NEVER use the waste without the unit fully assembled.



DO NOT place matches or cigarettes on or near this product.

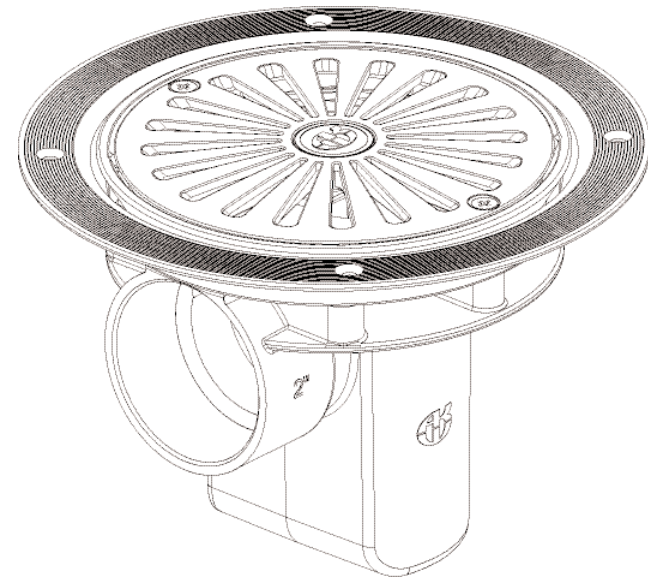
The following plastic materials are used in this product:
Acrylonitrile Butadiene Styrene (ABS),
Ethylene Propylene Thermoplastic Rubber (EPTPR)
Polythene (PE)



AKW MediCare

US

US TF75 Gravity Waste Installation and User care instructions



**3" (75mm) water seal trapped waste for wet floors areas
Universal solvent socket joint for horizontal outlets - for 2" diameter waste pipe.**

Color: White RAL9016

Internal Building use only

EU registered Design 000189105-0001

Installer: Please ensure that this information is left with the end user of this product.

For full waste specifications see the current AKW MediCare catalogue.

The measurements throughout these installation and user care instructions have been converted from metric to its equivalent in English units, therefore all dimensions are approximate and subject to manufacturing tolerances. DLP Limited (AKW MediCare) does not make any warranty, expressed or implied, or accept any liability in connection with this information or its use. This information is furnished upon the condition that the person receiving it shall make his/her own tests to determine the suitability thereof for his/her particular purpose.

**For further details on this and other AKW products please contact your distributor
- see details on outer packaging**

Installation Instructions

Before installation check the wet floor area (5) slopes correctly towards the waste, and the waste outlet pipe slopes down and away from the waste position by approximately 1 in 40.

To prepare the waste for installation, unscrew the Qty 2 M4 stainless steel screws (12) and remove the grid cover (11).

Lift the bucket and trap assembly (8, 9, 10) out by gripping the pinch-point.

Unscrew the Qty 4 M6 stainless steel screws (7) and remove the clamp ring (6).

Use only an approved ABS waste fitting solvent adhesive.

Ensure waste pipe end and joint surface of the TF75 are clean and grease free.

Apply a coating of adhesive to surface of the joint and assemble immediately.

For Wet Floor Formers:

Follow instructions provided with the wet floor former to correctly fit the TF75 using Qty 4 suitable countersunk head screws (4) – (not supplied).

Ensure the former and waste are correctly supported from below.

Install the wet floor covering (5) ensuring all of the manufacturers instructions are followed.

For Resilient Floors:

Before placing the trap (1), ensure pipe connections are correctly assembled, sealed and waterproof.

Locate the trap in the required position, ensuring the top lip and void (3) can be supported.

Install the resilient flooring showering area, ensuring the top ring and void are filled to support the trap.

When the resilient floor has cured sufficiently, install the wet floor covering (5) ensuring the manufacturers instructions are followed.

Cut the wet floor covering to fit the TF75 opening and align and fit the clamp ring (6) with Qty 4 M6 stainless steel screws (7).

Make sure the pocket in the trap below the waste pipe outlet is clean and free from all grit or other waste material. Fit the pre-assembled bucket, trap tube and seal assembly (8, 9, 10) by simply lowering it into the D-shaped recess within the trap body. The seal (10) must not be twisted or distorted.

Position the grid cover (11) over the assembly and fit using the Qty 2 M4 stainless steel screws (12).

User Care Instructions

AKW wastes are designed for low maintenance and reliable operation. The waste should be checked as part of a planned maintenance programme, any part showing evidence of damage or misuse must be replaced.

Keeping your US TF75 Gravity Waste Clean

This product should be cleaned periodically to remove any accumulation of hair or other waste material, using normal domestic bathroom cleaning materials.

To remove and clean the bucket, unscrew the Qty 2 M4 stainless steel screws (12) and remove the grid cover (11).

Lift the bucket and trap assembly (8, 9, 10) out by gripping the pinch-point.

To separate the bucket and trap, press the centre of the "D" with your thumb - the two parts will 'pop' apart. Do not disturb the seal.

Clean these parts using warm soapy water. Also flush and wash down the inner body of the trap in the floor using warm soapy water or normal domestic bathroom cleaning materials.

Re-assemble following the instructions above.

Disinfecting

Where disinfecting is necessary, standard procedures for disinfecting equipment should be used taking due care and attention to the warnings below concerning possible effects of aggressive chemicals on plastics.

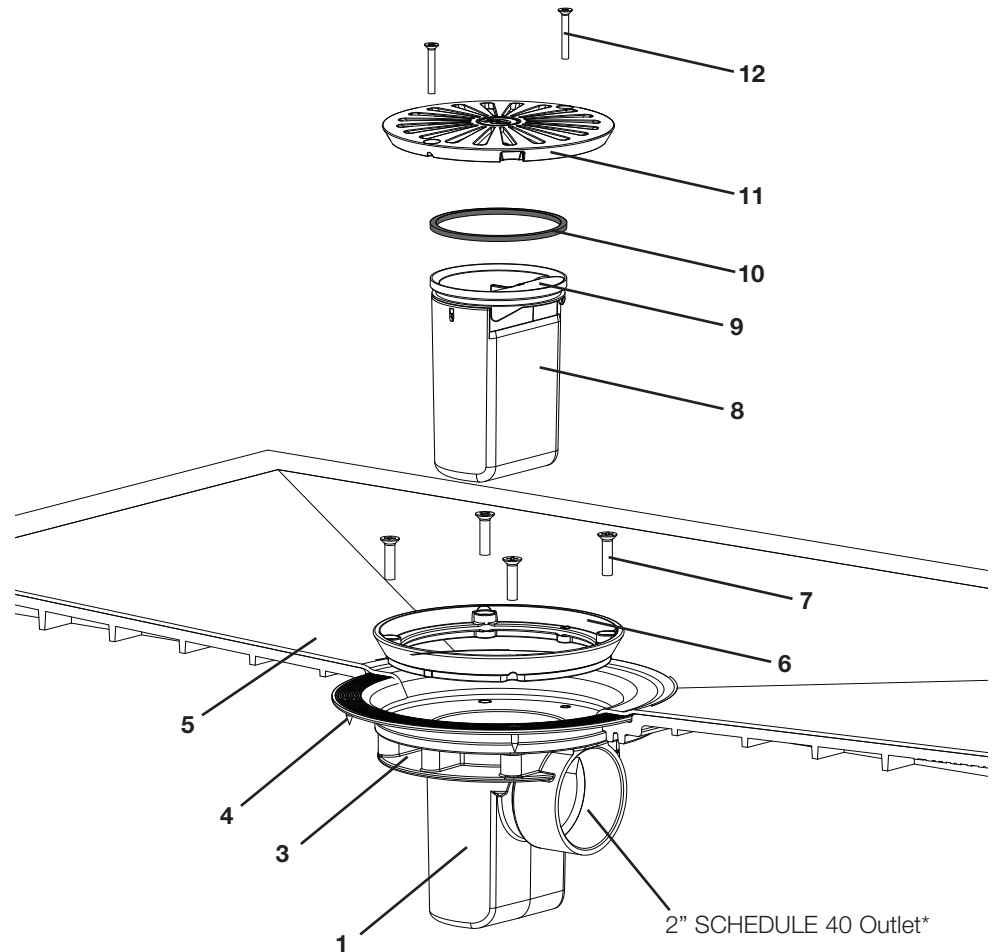
After cleaning always flush down with water then wipe thoroughly with a damp cloth to remove any cleaning material residues before drying off.

Do not use strong or concentrated acidic, alkaline or other cleaning materials as these may discolor or damage the product.

AKW do not approve or recommend autoclave cleaning of any of the components due to the damage this can cause to the special engineering plastics used in the construction of this product.

Packaging

This waste is supplied in a polythene (PE) bag to keep the product unsoiled until installation; it may also be packed in a cardboard box. Both are suitable for recycling operations and should be disposed of in accordance with local recycling regulations.



*Outlet is dimensioned to meet 2" Schedule 40, but is not pressure rated to this standard.

Sectioned floor view of the US TF75 Gravity Waste installed on a Wet Floor Former.