



ALWAYS read the installation instructions before installing this product.



ALWAYS read the installation and end user care instructions.



ALWAYS match the correct waste to the shower base.

ALWAYS have the waste installed by a trained and experienced skilled craftsman.



NEVER use the waste without the unit fully assembled.



BEWARE A child finger trap may be present during the handling or use of this product.

ALWAYS Keep fingers clear of the gaps between the cover, and the locking ring.



DO NOT place matches or cigarettes on or near this product.

The following plastic materials are used in this product: Acrylonitrile Butadiene Styrene (ABS), Ethylene Propylene Thermoplastic Rubber (EPTPR)

The measurements throughout these installation and user care instructions have been converted from metric to its equivalent in imperial, therefore all dimensions are approximate and subject to manufacturing tolerances. AKW MediCare does not make any warranty, expressed or implied, or accept any liability in connection with this information or its use. This information is furnished upon the condition that the person receiving it shall make his/her own tests to determine the suitability thereof for his/her particular purpose.

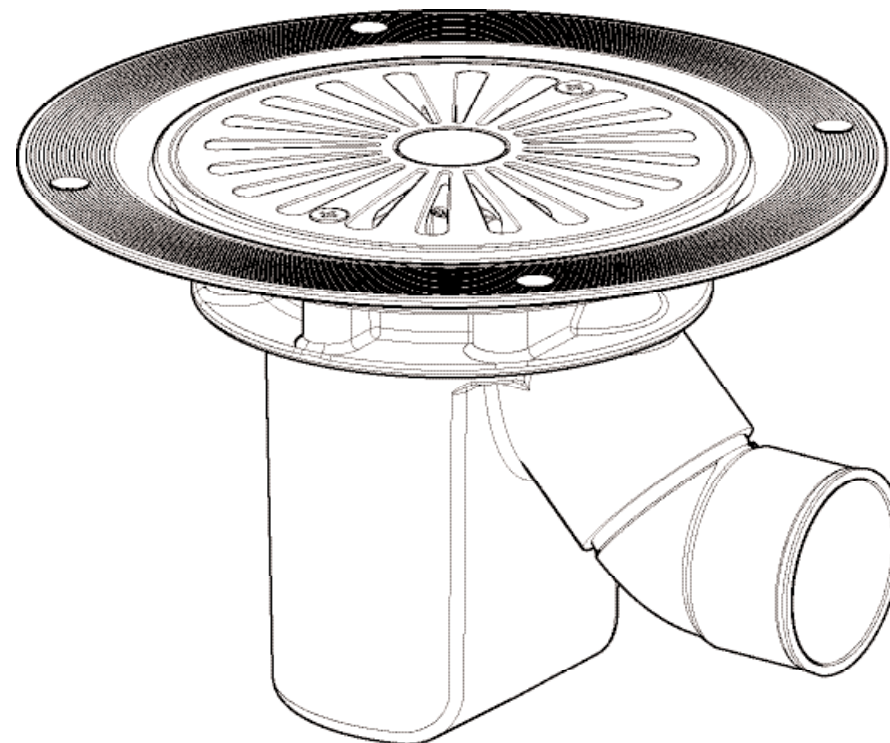
**For further details on this and other AKW products please contact your distributor
- see details on outer packaging**



AKW MediCare



TF75 Gravity Waste Installation and user care instructions



**75mm water seal trapped waste for wet floors
Universal solvent joint for vertical or horizontal outlets.**

Colour: White RAL9016

Internal Building use only

WRcNSF tested to BS EN 274-2:2002 Patent Pending
EU registered Design 000189105-0001

**Installer: Please ensure that this information is left
with the end user of this product.**

For full waste specifications see the current AKW MediCare catalogue.

Installation Instructions

Before installation check the wet floor area (5) slopes correctly towards the waste and the waste outlet pipe slopes down and away from the waste position by approximately 25mm per metre run (1 in 40).

The outlet elbow (2) can be aligned horizontally as shown or vertically.

Use Only an approved ABS waste fitting solvent adhesive.

Ensure waste pipe end and both joint surfaces of the Universal elbow and TF75 are clean and grease free.

Apply a coating of adhesive to both surfaces of each joint and assemble immediately.

For Wet Floor Formers:

Follow instructions provided with the wet floor former to correctly fit the TF75 using Qty 4 suitable countersunk head screws (4) – (not supplied).

Ensure the former and waste are correctly supported from below.

Install the wet floor covering (5) ensuring all of the manufacturers instructions are followed.

For Screeded Floors:

Before placing the trap (1), ensure pipe connections (2) are correctly assembled, sealed and waterproof.

Locate the trap in the required position, ensuring the top lip and screed void (3) can be supported.

Screed the showering area ensuring the top ring and screed void are filled with screed to support the trap.

When the screed has cured sufficiently, install the wet floor covering (5) ensuring the manufacturers instructions are followed.

Trim the wet floor covering to fit the TF75 opening and align and fit the clamp ring (6) with Qty 4 M6 stainless steel screws (7).

Make sure the pocket in the trap below the waste pipe outlet is clean and free from all grit or other waste material. Fit the pre-assembled trap tube, seal and bucket assembly (8) (9) (10) by simply lowering it into the D-shaped recess within the trap body. The seal (9) must not be twisted or distorted.

Position the grid cover (11) over the assembly and fit using the Qty 2 M4 stainless steel screws (12).

User Care Instructions

The TF75 is designed for low maintenance and reliable operation.

As part of a regular maintenance programme check and clean the waste trap bucket of accumulated hair or other waste material.

To remove and clean the bucket, first remove the top cover screws and lift the bucket and trap assembly out by gripping the pinch-point.

To separate the bucket and trap, press the centre of the "D" with your thumb - the two parts will 'pop' apart. Do not disturb the seal.

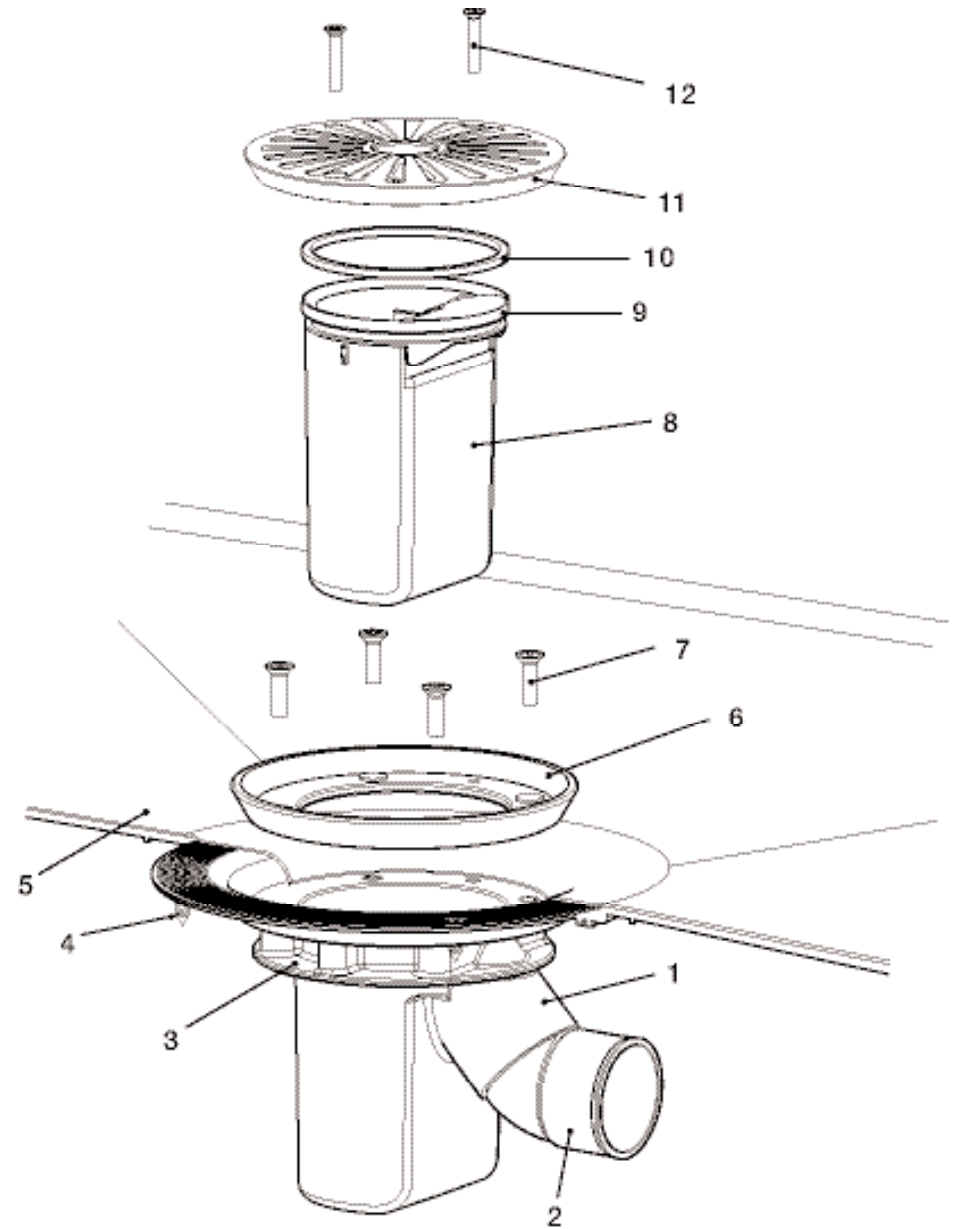
Clean these parts using warm soapy water. Also flush and wash down the inner body of the trap in the floor using warm soapy water or normal domestic bathroom cleaning materials.

Do not use strong or concentrated acidic or alkaline cleaning materials as these may discolour or otherwise damage the product.

AKW do not approve or recommend autoclave cleaning of any of the components due to the damage this can cause to the special engineering plastics used in the construction of this product.

Flush clear of all residues using clean water.

To reassemble the trap tube and bucket, slide the bucket onto the tube until it clips into place. Slide the trap with seal into the floor and fit the cover and screws.



Sectioned floor view of the TF75 Gravity Waste