



**ALWAYS** read the installation instructions before installing this product.



**ALWAYS** read the installation and end user care instructions.



**ALWAYS** match the correct waste to the shower base.

**ALWAYS** have the pumped waste installed by a trained and experienced skilled craftsman.



**NEVER** use the pumped waste without the unit fully assembled.



**BEWARE** A child finger trap may be present during the handling or use of this product.

**ALWAYS** Keep fingers clear of the gaps between the cover, and the locking ring.



**DO NOT** place matches or cigarettes on or near this product.  
The following plastic materials are used in this product :Acrylonitrile Butadiene Styrene (ABS), Ethylene Propylene Thermoplastic Rubber (EPTPR)

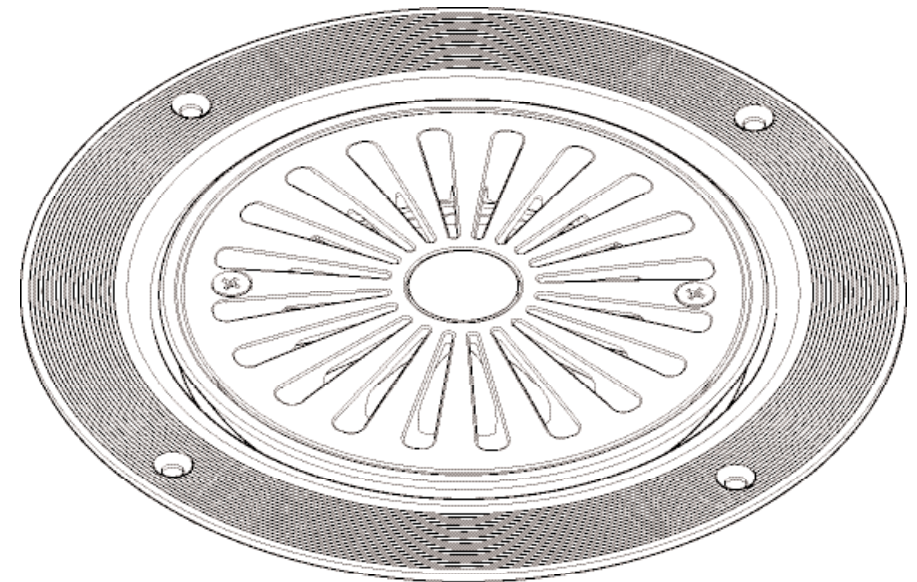


**AKW** MediCare



## **Tuff-Form Hole Reducer**

### **Installation and user care instructions**



**Wet Floor Former, Waste Hole Reducer**

Colour: White

Internal Building use only

Patent Pending

**For further details on this and other AKW products please contact your distributor  
- see details on outer packaging**

**Installer: Please ensure that this information is left  
with the end user of this product.**

For full waste specifications see the current AKW MediCare catalogue.

## Installation Instructions

NOTE: The TFHR does NOT include a waste trap – the illustration is ONLY to indicate positions of components.

You MUST follow the instructions provided by the waste trap manufacturer.

As a “dry run” first place the wet floor former into the desired location and determine the position and depth of clearance required to position the waste trap - (not supplied with the TFHR).

Before installing the TFHR check the wet-floor area slopes correctly towards the waste and the waste outlet pipe slopes down and away from the waste position by approximately 25mm per metre run (1:40).

Ensure the waste trap has the correct seals in place; place the TFHR dish over the waste position;

Fit any remaining waste trap seals, top locking and / or retaining ring(s) in place;

Screw these parts together tightly following the manufacturers instructions for the waste trap carefully to achieve a waterproof joint between the TFHR and the waste trap;

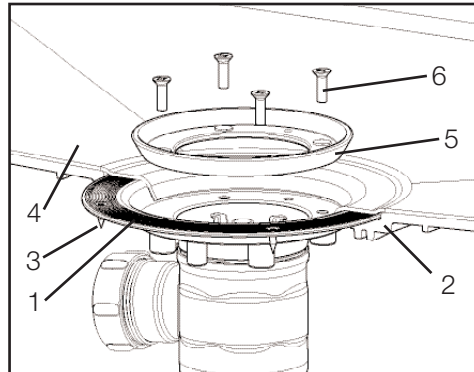
Finally fasten down the TFHR (1) to the wet floor former (2) using Qty 4 suitable countersunk head screws (3) - (not supplied). Ensure the heads are flush and do not protrude or cut into the floor covering

Ensure the former and waste are correctly supported from below.

Install the wet-floor covering (4) ensuring all of the manufacturer's instructions are followed.

Trim the wet-floor covering to fit the TFHR opening and align and fit the clamp ring (5) with qty 4 M6 stainless steel screws (6).

Position the grid cover over the assembly and fit using the Qty 2 M4 stainless steel screws.



## User Care Instructions

The TFHR is designed for low maintenance and reliable operation.

As part of a regular maintenance programme check and clean the waste trap located inside the TFHR by the installer.

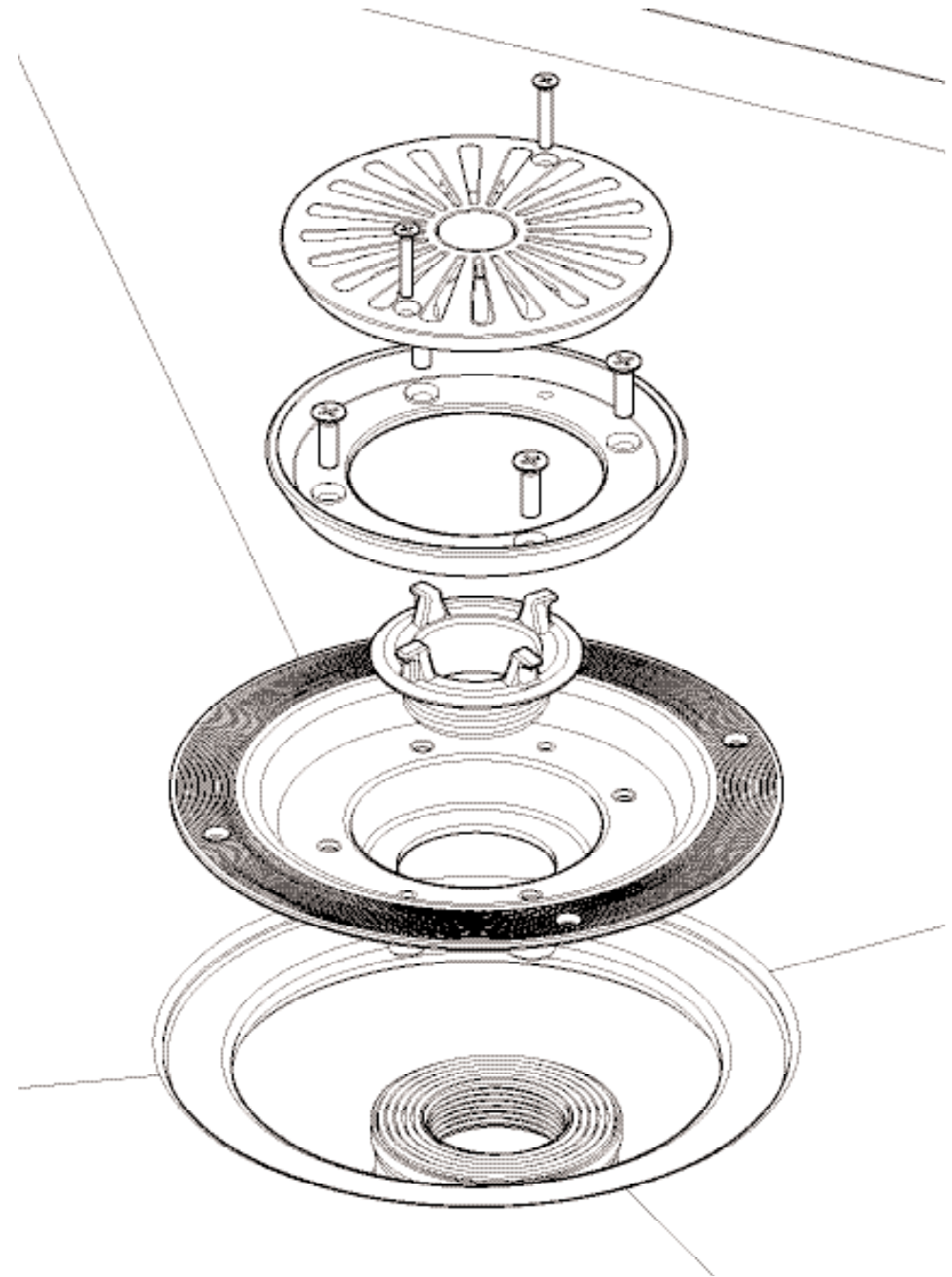
First remove the top cover by removing the two M4 screws which will give you access to the waste installed into this product. Follow the cleaning instructions provided with the waste trap fitted into this TFHR.

Clean these parts, removing hair and other detritus, using warm soapy water. Also flush and wash down the inner body of the trap in the floor using warm soapy water or normal domestic bathroom cleaning materials.

Do not use strong or concentrated cleaning materials, or concentrated acidic or alkaline cleaning compounds.

Flush clear of all residues using clean water.

Reassemble to trap according to the instructions provided by the installer for the waste trap installed, and then refit the top cover with the two M4 screws.



**Exploded view of the Tuff-Form Hole Reducer**