



ALWAYS read the installation instructions before installing this product.



ALWAYS read the installation and end user care instructions.



ALWAYS match the correct waste to the shower base.

ALWAYS have the pumped waste installed by a trained and experienced skilled craftsman.



NEVER use the pumped waste without the unit fully assembled.



BEWARE A child finger trap may be present during the handling or use of this product.

ALWAYS Keep fingers clear of the gaps between the cover, and the locking ring.



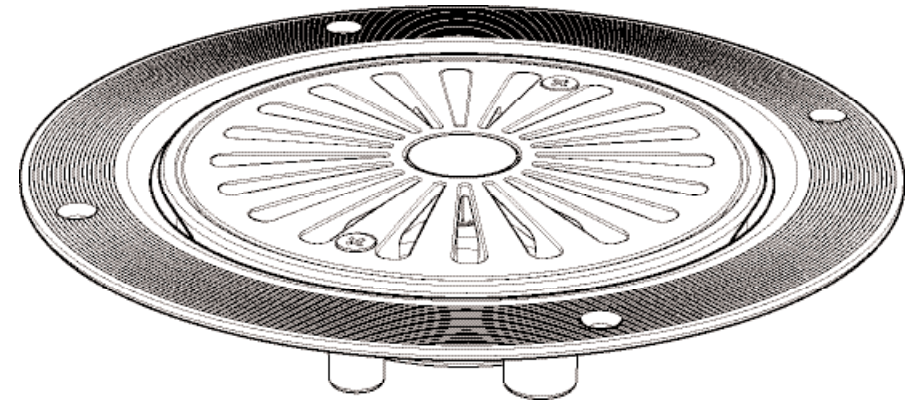
DO NOT place matches or cigarettes on or near this product.
The following plastic materials are used in this product: Acrylonitrile Butadiene Styrene (ABS), Ethylene Propylene Thermoplastic Rubber (EPTPR)



AKW MediCare

US

Tuff-Form Waste Adaptor (USA) **Installation and user care instructions**



The measurements throughout these installation and user care instructions have been converted from metric to its equivalent in imperial, therefore all dimensions are approximate and subject to manufacturing tolerances. AKW MediCare does not make any warranty, expressed or implied, or accept any liability in connection with this information or its use. This information is furnished upon the condition that the person receiving it shall make his/her own tests to determine the suitability thereof for his/her particular purpose.

Color: White

Internal Building use only

Patent Pending

**For further details on this and other AKW products please contact your distributor
- see details on outer packaging**

**Installer: Please ensure that this information is left
with the end user of this product.**

Installation Instructions

NOTE: The Tuff-Form Waste Adaptor (TFWA) does NOT include a waste trap – the illustration is ONLY to indicate positions of components.

You MUST follow the instructions provided by the waste trap manufacturer.

As a “dry run” first place the wet floor former into the desired location and determine the position and depth of clearance required to position the waste trap - (not supplied with the TFWA).

Before installing the TFWA check the wet-floor area slopes correctly towards the waste and the waste outlet pipe slopes down and away from the waste position by approximately 1” (25mm) per 3’3³/₈” (1m) run (1:40).

Ensure the waste trap has the correct seals in place; place the TFWA dish over the waste position;

Fit any remaining waste trap seals, top locking and / or retaining ring(s) in place;

Screw these parts together tightly following the manufacturers instructions for the waste trap carefully to achieve a waterproof joint between the TFWA and the waste trap;

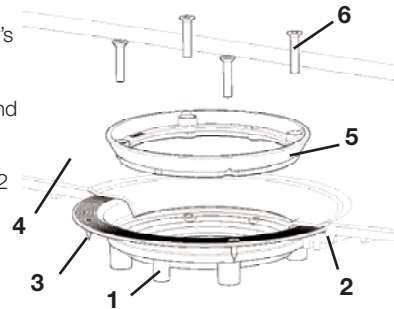
Finally fasten down the TFWA (1) to the wet floor former (2) using Qty 4 suitable countersunk head screws (3) - (not supplied). Ensure the heads are flush and do not protrude or cut into the floor covering

Ensure the former and waste are correctly supported from below.

Install the wet-floor covering (4) ensuring all of the manufacturer’s instructions are followed.

Trim the wet-floor covering to fit the TFWA opening and align and fit the clamp ring (5) with qty 4 M6 stainless steel screws (6).

Position the grid cover over the assembly and fit using the Qty 2 M4 stainless steel screws.



User Care Instructions

The AKW TFWA is designed for low maintenance and reliable operation. The TFWA and trap waste located inside should be checked as part of a planned maintenance programme, any part showing evidence of damage or misuse must be replaced.

Keeping your TFWA Clean

This product should be cleaned periodically to remove any accumulation of hair or other waste material, using normal domestic bathroom cleaning materials.

To remove and clean the trap, first remove the top cover by removing the two M4 screws

Disinfecting

Where disinfecting is necessary, standard procedures for disinfecting equipment should be used taking due care and attention to the warnings below concerning possible effects of aggressive chemicals on plastics.

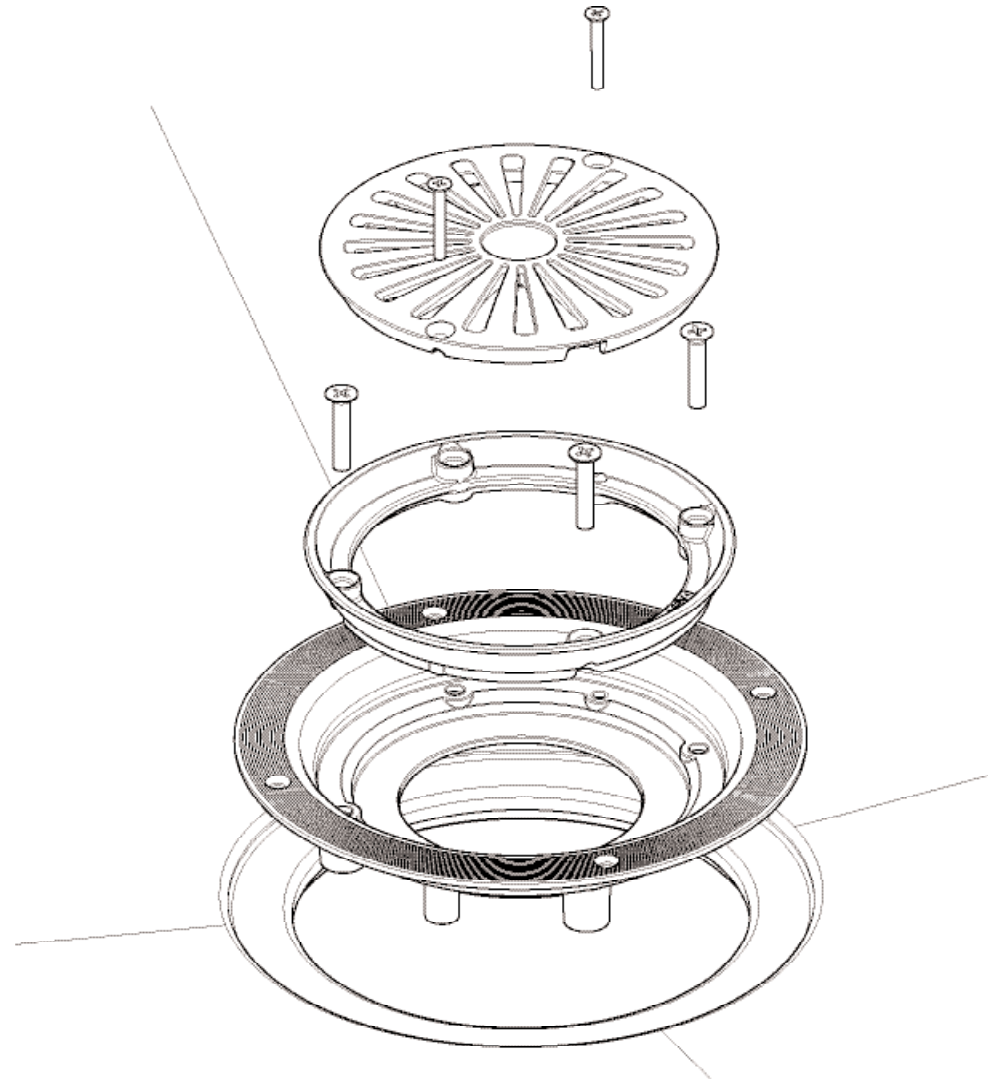
After cleaning always flush down with water then wipe thoroughly with a damp cloth to remove any cleaning material residues before drying off.

Do not use strong or concentrated acidic, alkaline or other cleaning materials as these may discolour or otherwise damage the product.

AKW do not approve or recommend autoclave cleaning of any of the components due to the damage this can cause to the special engineering plastics used in the construction of this product.

Packaging

This TFWA is supplied in a polypropylene (PP) bag to keep the product unsoiled until installation; it may also be packed in a cardboard box. Both are suitable for recycling operations and should be disposed of in accordance with local recycling regulations.



Exploded view of the Tuff-Form Waste Adaptor (USA)